

Air Conditioners Кондиционеры



SLZ-M15, M25, M35, M50, M60FA

INSTALLATION MANUAL

FOR INSTALLER

For safe and correct use, please read this manual and the outdoor unit installation manual thoroughly before installing the air-conditioner unit.

INSTALLATIONSHANDBUCH

FÜR INSTALLATEURE

Aus Sicherheitsgründen und zur richtigen Anwendung vor Installation der Klimaanlage die vorliegende Bedienungsanleitung und das Installationshandbuch gründlich durchlesen.

MANUEL D'INSTALLATION

POUR L'INSTALLATEUR

Avant d'installer le climatiseur, lire attentivement ce manuel, ainsi que le manuel d'installation de l'appareil extérieur pour une utilisation sûre et correcte.

INSTALLATIEHANDLEIDING

VOOR DE INSTALLATEUR

Lees deze handleiding en de installatiehandleiding van het buitenapparaat zorgvuldig door voordat u met het installeren van de airconditioner begint.

MANUAL DE INSTALACIÓN

PARA EL INSTALADOR

Para un uso seguro y correcto, lea detalladamente este manual de instalación antes de montar la unidad de aire acondicionado.

MANUALE DI INSTALLAZIONE

PER L'INSTALLATORE

Per un uso sicuro e corretto, prima di installare il condizionatore d'aria leggere attentamente il presente manuale ed il manuale d'installazione dell'unità esterna.

ΕΓΧΕΙΡΙΔΙΟ ΟΔΗΓΙΩΝ ΕΓΚΑΤΑΣΤΑΣΗΣ

ΓΙΑ ΑΥΤΟΝ ΠΟΥ ΚΑΝΕΙ ΤΗΝ ΕΓΚΑΤΑΣΤΑΣΗ

Για σωστή και ασφαλή χρήση, διαβάστε προσεκτικά αυτό το εγχειρίδιο, καθώς και το εγχειρίδιο εγκατάστασης της εξωτερικής μονάδας, πριν από την εγκατάσταση της μονάδας κλιματιστικού.

MANUAL DE INSTALAÇÃO

PARA O INSTALADOR

Para uma utilização segura e correcta, leia atentamente este manual e o manual de instalação da unidade exterior antes de instalar o aparelho de ar condicionado.

INSTALLATIONSMANUAL

TIL INSTALLATØREN

Læs af sikkerhedshensyn denne manual samt manualen til installation af udendørsenheden grundigt, før du installerer klimaanlægget.

INSTALLATIONSMANUAL

FÖR INSTALLATÖREN

Läs bruksanvisningen och utomhusenhetens installationshandbok noga innan luftkonditioneringen installeras så att den används på ett säkert och korrekt sätt.

MONTAJ ELKİTABI

MONTÖR İÇİN

Emniyetli ve doğru kullanım için, klima cihazını monte etmeden önce bu kılavuzu ve dış ünite montaj kılavuzunu tamamiyle okuyun.

РУКОВОДСТВО ПО УСТАНОВКЕ

ДЛЯ УСТАНОВИТЕЛЯ

Для обеспечения безопасной и надлежащей эксплуатации внимательно прочтите данное руководство и руководство по установке наружного прибора перед установкой кондиционера.

INSTALLASJONSHÅNDBOK

FOR MONTØR

For å sikre trygg og riktig bruk er det viktig å lese denne håndboken samt installasjonshåndboken for innendørsenheten, grundig før du installerer klimaanleggenheten.

INSTRUKCJA MONTAŻU

DLA INSTALATORA

Aby zapewnić bezpieczne i prawidłowe korzystanie z urządzenia, przed montażem klimatyzatora należy dokładnie zapoznać się z treścią niniejszej instrukcji oraz instrukcji montażu jednostki zewnętrznej.

English

Deutsch

Français

Nederlands

Español

Italiano

Ελληνικά

Português

Dansk

Svenska

Türkçe

Русский

Norsk

Polski

Contents





1. Safety precautions	2	7. Electrical work	9
2. Selecting the installation location	3	8. Test run	16
3. Installation diagram	4	9. System control	18
4. Installing the indoor unit	4	10. Installing the grille	18
5. Refrigerant piping work	6	11. Easy maintenance function	21
6. Drainage piping work	8		

Note:
The phrase "Wired remote controller" in this installation manual refers only to the PAR-33MAA. If you need any information for the other remote controller, please refer to either the installation manual or initial setting manual which are included in these boxes.


1. Safety precautions


- ▶ Before installing the unit, make sure you read all the "Safety Precautions".
- ▶ The "Safety Precautions" provide very important points regarding safety. Make sure you follow them.
- ▶ Please report to your supply authority or obtain their consent before connecting this equipment to the power supply system.

MEANINGS OF SYMBOLS DISPLAYED ON THE UNIT

	WARNING (Risk of fire)	This mark is for R32 refrigerant only. Refrigerant type is written on nameplate of outdoor unit. In case that refrigerant type is R32, this unit uses a flammable refrigerant. If refrigerant leaks and comes in contact with fire or heating part, it will create harmful gas and there is risk of fire.
		Read the OPERATION MANUAL carefully before operation.
		Service personnel are required to carefully read the OPERATION MANUAL and INSTALLATION MANUAL before operation.
		Further information is available in the OPERATION MANUAL, INSTALLATION MANUAL, and the like.

Symbols used in the text



 **Warning:**
Describes precautions that should be observed to prevent danger of injury or death to the user.

 **Caution:**
Describes precautions that should be observed to prevent damage to the unit.

Warning:

- Carefully read the labels affixed to the main unit.
- Ask a dealer or an authorized technician to install, relocate and repair the unit.
- The user should never attempt to repair the unit or transfer it to another location.
- Do not alter the unit.
- For installation and relocation work, follow the instructions in the Installation Manual and use tools and pipe components specifically made for use with refrigerant specified in the outdoor unit installation manual.
- The unit must be installed according to the instructions in order to minimize the risk of damage from earthquakes, typhoons, or strong winds. An incorrectly installed unit may fall down and cause damage or injuries.
- The unit must be securely installed on a structure that can sustain its weight.
- The appliance shall be stored in a well-ventilated area where the room size corresponds to the room area as specified for operation.
- If the air conditioner is installed in a small room or closed room, measures must be taken to prevent the refrigerant concentration in the room from exceeding the safety limit in the event of refrigerant leakage. Should the refrigerant leak and cause the concentration limit to be exceeded, hazards due to lack of oxygen in the room may result.
- Keep gas-burning appliances, electric heaters, and other fire sources (ignition sources) away from the location where installation, repair, and other air conditioner work will be performed.
If refrigerant comes into contact with a flame, poisonous gases will be released.
- Ventilate the room if refrigerant leaks during operation. If refrigerant comes into contact with a flame, poisonous gases will be released.
- All electric work must be performed by a qualified technician according to local regulations and the instructions given in this manual.
- Use only specified cables for wiring. The wiring connections must be made securely with no tension applied on the terminal connections. Also, never splice the cables for wiring (unless otherwise indicated in this document). Failure to observe these instructions may result in overheating or a fire.
- When installing or relocating, or servicing the air conditioner, use only the specified refrigerant written on outdoor unit to charge the refrigerant lines. Do not mix it with any other refrigerant and do not allow air to remain in the lines. If air is mixed with the refrigerant, then it can be the cause of abnormal high pressure in the refrigerant line, and may result in an explosion and other hazards.

Symbols used in the illustrations

-  : Indicates a part which must be grounded.
-  : Be sure not to do.

After installation work has been completed, explain the "Safety Precautions," use, and maintenance of the unit to the customer according to the information in the Operation Manual and perform the test run to ensure normal operation. Both the Installation Manual and Operation Manual must be given to the user for keeping. These manuals must be passed on to subsequent users.

The use of any refrigerant other than that specified for the system will cause mechanical failure or system malfunction or unit breakdown. In the worst case, this could lead to a serious impediment to securing product safety.

- The appliance shall be installed in accordance with national wiring regulations.
- This appliance is not intended for use by persons (including children) with reduced physical, sensory or mental capabilities, or lack of experience and knowledge, unless they have been given supervision or instruction concerning use of the appliance by a person responsible for their safety.
- Children should be supervised to ensure that they do not play with the appliance.
- The terminal block cover panel of the unit must be firmly attached.
- If the supply cord is damaged, it must be replaced by the manufacturer, its service agent or similarly qualified persons in order to avoid a hazard.
- Use only accessories authorized by Mitsubishi Electric and ask a dealer or an authorized technician to install them.
- After installation has been completed, check for refrigerant leaks. If refrigerant leaks into the room and comes into contact with the flame of a heater or portable cooking range, poisonous gases will be released.
- Do not use means to accelerate the defrosting process or to clean, other than those recommended by the manufacturer.
- The appliance shall be stored in a room without continuously operating ignition sources (for example: open flames, an operating gas appliance or an operating electric heater).
- Do not pierce or burn.
- Be aware that refrigerants may not contain an odour.
- Pipe-work shall be protected from physical damage.
- The installation of pipe-work shall be kept to a minimum.
- Compliance with national gas regulations shall be observed.
- Keep any required ventilation openings clear of obstruction.
- Do not use low temperature solder alloy in case of brazing the refrigerant pipes.
- When performing brazing work, be sure to ventilate the room sufficiently. Make sure that there are no hazardous or flammable materials nearby.
- When performing the work in a closed room, small room, or similar location, make sure that there are no refrigerant leaks before performing the work.
- If refrigerant leaks and accumulates, it may ignite or poisonous gases may be released.

1. Safety precautions

1.1. Before installation (Environment)

⚠ Caution:

- Do not use the unit in an unusual environment. If the air conditioner is installed in areas exposed to steam, volatile oil (including machine oil), or sulfuric gas, areas exposed to high salt content such as the seaside, the performance can be significantly reduced and the internal parts can be damaged.
- Do not install the unit where combustible gases may leak, be produced, flow, or accumulate. If combustible gas accumulates around the unit, fire or explosion may result.
- Do not keep food, plants, caged pets, artwork, or precision instruments in the direct airflow of the indoor unit or too close to the unit, as these items can be damaged by temperature changes or dripping water.
- When the room humidity exceeds 80% or when the drainpipe is clogged, water may drip from the indoor unit. Do not install the indoor unit where such dripping can cause damage.
- When installing the unit in a hospital or communications office, be prepared for noise and electronic interference. Inverters, home appliances, high-frequency medical equipment, and radio communications equipment can cause the air conditioner to malfunction or breakdown. The air conditioner may also affect medical equipment, disturbing medical care, and communications equipment, harming the screen display quality.

1.2. Before installation or relocation

⚠ Caution:

- Be extremely careful when transporting the units. Two or more persons are needed to handle the unit, as it weighs 20 kg or more. Do not grasp the packaging bands. Wear protective gloves as you can injure your hands on the fins or other parts.
- Be sure to safely dispose of the packaging materials. Packaging materials, such as nails and other metal or wooden parts may cause stabs or other injuries.
- Thermal insulation of the refrigerant pipe is necessary to prevent condensation. If the refrigerant pipe is not properly insulated, condensation will be formed.
- Place thermal insulation on the pipes to prevent condensation. If the drainpipe is installed incorrectly, water leakage and damage to the ceiling, floor, furniture, or other possessions may result.
- Do not clean the air conditioner unit with water. Electric shock may result.
- Tighten all flare nuts to specification using a torque wrench. If tightened too much, the flare nut can break after an extended period.
- If the unit is run for long hours when the air above the ceiling is at high temperature/high humidity (dew point above 26 °C), dew condensation may be produced in the indoor unit or the ceiling materials. When operating the units in this condition, add insulation material (10-20 mm) to the entire surface of the unit and ceiling materials to avoid dew condensation.

1.3. Before electric work

⚠ Caution:

- Be sure to install circuit breakers. If not installed, electric shock may result.
- For the power lines, use standard cables of sufficient capacity. Otherwise, a short circuit, overheating, or fire may result.
- When installing the power lines, do not apply tension to the cables.
- Be sure to ground the unit. If the unit is not properly grounded, electric shock may result.
- Use circuit breakers (ground fault interrupter, isolating switch (+B fuse), and molded case circuit breaker) with the specified capacity. If the circuit breaker capacity is larger than the specified capacity, breakdown or fire may result.

1.4. Before starting the test run

⚠ Caution:

- Turn on the main power switch more than 12 hours before starting operation. Starting operation just after turning on the power switch can severely damage the internal parts.
- Before starting operation, check that all panels, guards and other protective parts are correctly installed. Rotating, hot, or high voltage parts can cause injuries.
- Do not operate the air conditioner without the air filter set in place. If the air filter is not installed, dust may accumulate and breakdown may result.
- Do not touch any switch with wet hands. Electric shock may result.
- Do not touch the refrigerant pipes with bare hands during operation.
- After stopping operation, be sure to wait at least five minutes before turning off the main power switch. Otherwise, water leakage or breakdown may result.

2. Selecting the installation location

2.1. Indoor unit

- Where airflow is not blocked.
- Where cool air spreads over the entire room.
- Where it is not exposed to direct sunshine.
- At a distance 1 m or more away from your TV and radio (to prevent picture from being distorted or noise from being generated).
- In a place as far away as possible from fluorescent and incandescent lights (so the infrared remote control can operate the air conditioner normally).
- Where the air filter can be removed and replaced easily.

⚠ Warning:

Mount the indoor unit into a ceiling strong enough to withstand the weight of the unit.

2.2. Wireless remote controller mounting (For SLP-2FAL*)

- Place of mounting
 - Where it is easy to operate and easily visible.
 - Where children can not touch.
- Mounting

Select a position about 1.2 m above the floor, check that signals from the remote controller are surely received by the indoor unit from that position ('beep' or 'beep-beep' receiving tone sounds). After that, attach remote controller holder to a pillar or wall and set the wireless remote controller.

In rooms where inverter type fluorescent lamps are used, the signal from the wireless remote controller may not be received.

3. Installation diagram

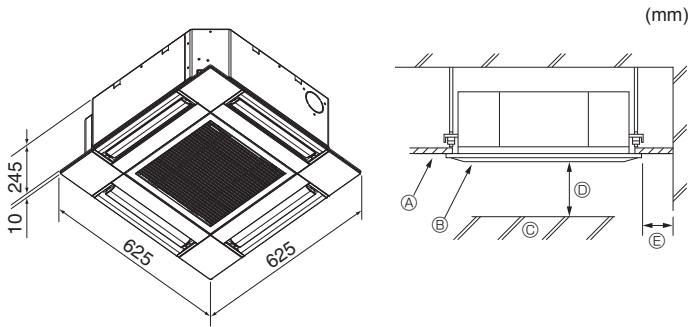


Fig. 3-1

3.1. Indoor unit (Fig. 3-1)

- Ⓐ Ceiling
 - Ⓑ Grille
 - Ⓒ Obstacle
 - Ⓓ Min. 1000 mm
 - Ⓔ Min. 500 mm (Entire periphery)
- If setting the maintenance space for Ⓔ, be sure to leave a minimum of 700 mm.

⚠ Warning:

Mount the indoor unit on a ceiling strong enough to withstand the weight of the unit.

3.2. Outdoor unit

Refer to the outdoor unit installation manual.

4. Installing the indoor unit

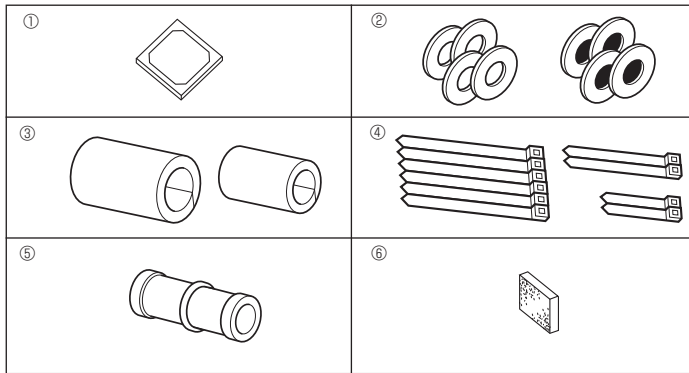


Fig. 4-1

4.1. Check the indoor unit accessories (Fig. 4-1)

The indoor unit should be supplied with the following accessories.

	Accessory name	Q'ty
①	Installation template	1
②	Washers (with insulation)	4
	Washers (without insulation)	4
③	Pipe cover (for refrigerant piping joint)	
	small diameter (liquid)	1
	large diameter (gas)	1
④	Band (large)	6
	Band (middle)	2
	Band (small)	2
⑤	Drain socket	1
⑥	Insulation	1

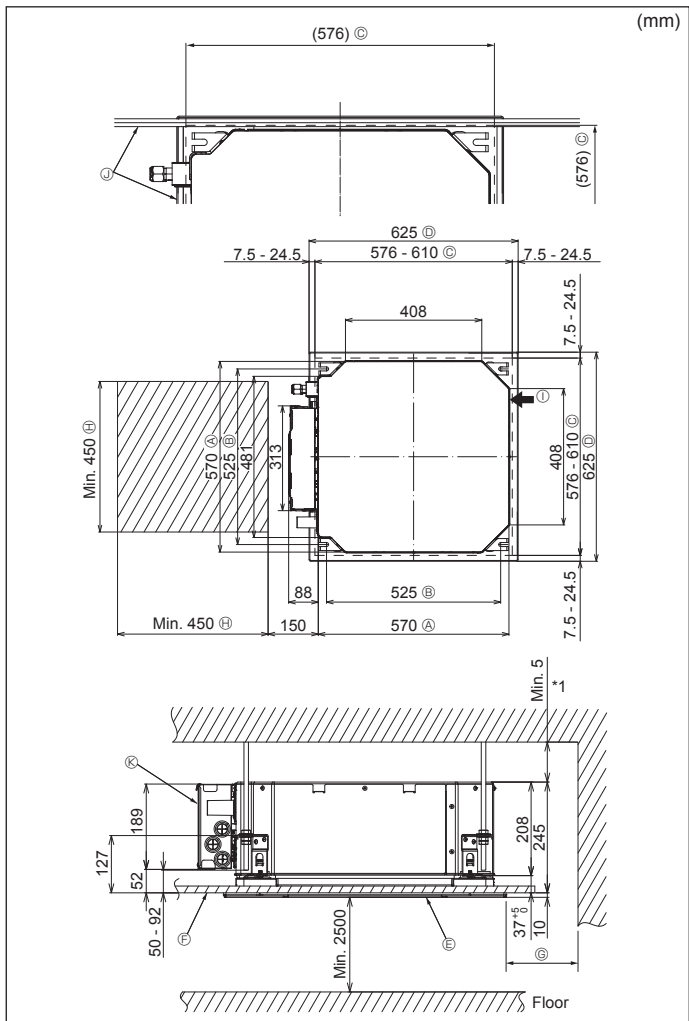


Fig. 4-2

4.2. Ceiling openings and suspension bolt installation locations (Fig. 4-2)

⚠ Caution:

Install the indoor unit at least 2.5 m above floor or grade level.
For appliances not accessible to the general public.

- Using the installation template and the gauge (supplied as an accessory with the grille), make an opening in the ceiling so that the main unit can be installed as shown in the diagram. (The method for using the template and the gauge are shown.)
 - * Before using, check the dimensions of template and gauge, because they change due to fluctuations of temperature and humidity.
 - * The dimensions of ceiling opening can be regulated within the range shown in following diagram; so center the main unit against the opening of ceiling, ensuring that the respective opposite sides on all sides of the clearance between them becomes identical.
- Use M10 (3/8") suspension bolts.
 - * Suspension bolts are to be procured at the field.
- Install securely, ensuring that there is no clearance between the ceiling panel & grille, and between the main unit & grille.

- Ⓐ Outer side of main unit
- Ⓑ Bolt pitch
- Ⓒ Ceiling opening
- Ⓓ Outer side of Grille
- Ⓔ Grille
- Ⓕ Ceiling
- Ⓖ Min. 500 mm (Entire periphery)
- Ⓗ If setting the maintenance space for Ⓖ, be sure to leave a minimum of 700 mm.
- Ⓙ Maintenance space
- Ⓚ Fresh air intake
- Ⓛ Angle
- Ⓜ Electric component box

* Leave the maintenance space at the electric component box end.

*1 When installing in an existing ceiling unit location or applying additional heat insulation, ensure a minimum space of 25 mm.

4. Installing the indoor unit

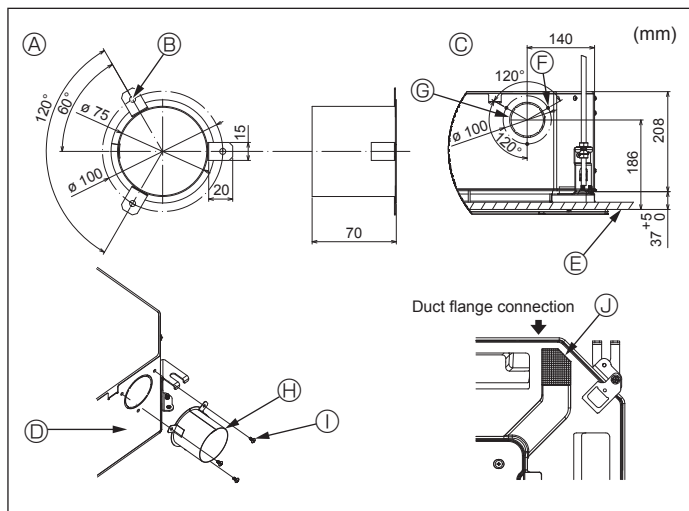


Fig. 4-3

4.3. Installation of duct (in case of fresh air intake) (Fig. 4-3)

⚠ Caution:

Linkage of duct fan and air conditioner

In case that a duct fan is used, be sure to make it linked with the air conditioner when outside air is taken.

Do not run the duct fan only. It can cause dew drop.

Making a duct flange (prepared locally)

• The shape of duct flange shown left is recommended.

Installation of duct flange

• Cut out the cutout hole. Do not knock it out.

• Install a duct flange to the cutout hole of the indoor unit with three 4 × 10 tapping screws which should be prepared locally.

Installation of duct (should be prepared locally)

• Prepare a duct of which inner diameter fits into the outer diameter of the duct flange.

• In case that the environment above the ceiling is high temperature and high humidity, wrap the duct in a heat insulate to avoid causing dew drop on the wall.

Remove the drain pan insulation.

- | | |
|---|---|
| Ⓐ Duct flange recommended shape (Thickness:0.8 or more) | Ⓕ 3-Tapping screw hole |
| Ⓑ 3-ø5 hole | Ⓖ ø73.4 cutout hole |
| Ⓒ Detail drawing of fresh air intake | Ⓗ Duct flange (Prepared locally) |
| Ⓓ Indoor unit | Ⓘ 4 × 10 Tapping screw (Prepared locally) |
| Ⓔ Ceiling surface | ⓷ Insulation |

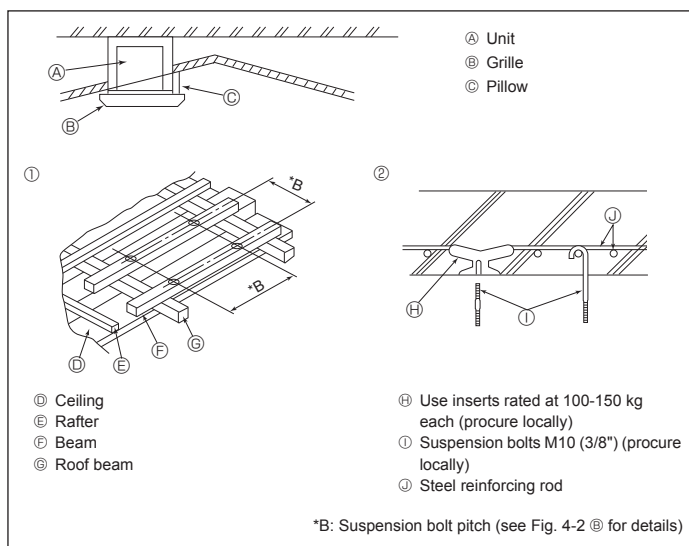


Fig. 4-4

4.4. Suspension structure (Give site of suspension strong structure) (Fig. 4-4)

• The ceiling work differs according to the construction of the building. Building constructors and interior decorators should be consulted for details.

(1) Extent of ceiling removal: The ceiling must be kept completely horizontal and the ceiling foundation (framework: wooden slats and slat holders) must be reinforced in order to protect the ceiling from vibration.

(2) Cut and remove the ceiling foundation.

(3) Reinforce the ends of the ceiling foundation where it has been cut and add ceiling foundation for securing the ends of the ceiling board.

(4) When installing the unit on a slanting ceiling, interlock a pillow between the ceiling and the grille and set so that the unit is installed horizontally.

① Wooden structures

• Use tie beams (single-story houses) or second floor beams (two story houses) as reinforcing members.

• Wooden beams for suspending air conditioners must be sturdy and their sides must be at least 6 cm long if the beams are separated by not more than 90 cm and their sides must be at least 9 cm long if the beams are separated by as much as 180 cm. The size of the suspension bolts should be ø10 (3/8"). (The bolts do not come with the unit.)

② Ferroconcrete structures

Secure the suspension bolts using the method shown, or use steel or wooden hangers, etc. to install the suspension bolts.

4.5. Unit suspension procedures (Fig. 4-5)

Suspend the main unit as shown in the diagram.

1. In advance, set the parts onto the suspension bolts in the order of the washers (with insulation), washers (without insulation) and nuts (double).

• Fit the washer with cushion so that the insulation faces downward.

• In case of using upper washers to suspend the main unit, the lower washers (with insulation) and nuts (double) are to be set later.

2. Lift the unit to the proper height of the suspension bolts to insert the mounting plate between washers and then fasten it securely.

3. When the main unit can not be aligned against the mounting hole on the ceiling, it is adjustable owing to a slot provided on the mounting plate. (Fig. 4-6)

• Make sure that step A is performed within 37-42 mm. Damage could result by failing to adhere to this range.

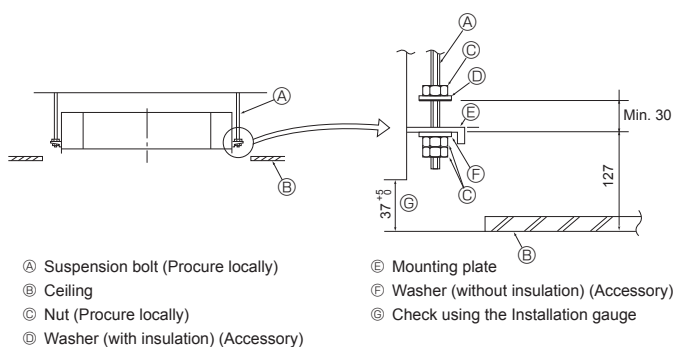


Fig. 4-5

4.6. Confirming the position of main unit and tightening the suspension bolts (Fig. 4-7)

• Using the gauge attached to the grille, ensure that the bottom of the main unit is properly aligned with the opening of the ceiling. Be sure to confirm this, otherwise condensation may form and drip due to air leakage etc.

• Confirm that the main unit is horizontally levelled, using a level or a vinyl tube filled with water.

• After checking the position of the main unit, tighten the nuts of the suspension bolts securely to fasten the main unit.

• The installation template can be used as a protective sheet to prevent dust from entering the main unit when the grilles are left unattached for a while or when the ceiling materials are to be lined after installation of the unit is finished.

* As for the details of fitting, refer to the instructions given on the Installation template.

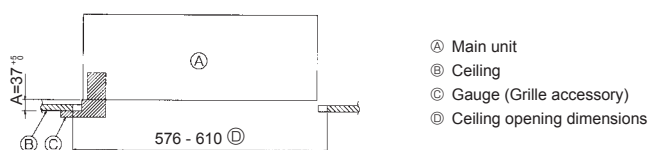


Fig. 4-6



Fig. 4-7

5. Refrigerant piping work

5.1. Precautions

For devices that use R32/R410A refrigerant

- Use alkylbenzene oil (small amount) as the refrigeration oil applied to the flared sections.
- Use C1220 copper phosphorus for copper and copper alloy seamless pipes, to connect the refrigerant pipes. Use refrigerant pipes with the thicknesses specified in the table below. Make sure the insides of the pipes are clean and do not contain any harmful contaminants such as sulfuric compounds, oxidants, debris, or dust.

⚠ Warning:

When installing or relocating, or servicing the air conditioner, use only the specified refrigerant written on outdoor unit to charge the refrigerant lines. Do not mix it with any other refrigerant and do not allow air to remain in the lines.

If air is mixed with the refrigerant, then it can be the cause of abnormal high pressure in the refrigerant line, and may result in an explosion and other hazards.

The use of any refrigerant other than that specified for the system will cause mechanical failure or system malfunction or unit breakdown. In the worst case, this could lead to a serious impediment to securing product safety.

5.2. Refrigerant pipe (Fig. 5-1)

Piping preparation

- Refrigerant pipes of 3, 5, 7, 10 and 15 m are available as optional items.

(1) Table below shows the specifications of pipes commercially available.

Model	Pipe	Outside diameter		Min. wall thickness	Insulation thickness	Insulation material
		mm	inch			
SLZ-M15	For liquid	6.35	1/4	0.8 mm	8 mm	Heat resisting foam plastic 0.045 specific gravity
SLZ-M25	For gas	9.52	3/8	0.8 mm	8 mm	
SLZ-M35	For gas	12.7	1/2	0.8 mm	8 mm	
SLZ-M50	For liquid	6.35	1/4	0.8 mm	8 mm	
	For gas	12.7	1/2	0.8 mm	8 mm	
SLZ-M60	For liquid	6.35	1/4	0.8 mm	8 mm	
	For gas	15.88	5/8	1.0 mm	8 mm	

(2) Ensure that the 2 refrigerant pipes are well insulated to prevent condensation.

(3) Refrigerant pipe bending radius must be 100 mm or more.

⚠ Caution:

Using careful insulation of specified thickness. Excessive thickness prevents storage behind the indoor unit and smaller thickness causes dew dripping.

5.3. Flaring work

- Main cause of gas leakage is defect in flaring work.
- Carry out correct flaring work in the following procedure.

5.3.1. Pipe cutting (Fig. 5-2)

- Using a pipe cutter cut the copper tube correctly.

5.3.2. Burrs removal (Fig. 5-3)

- Completely remove all burrs from the cut cross section of pipe/tube.
- Put the end of the copper tube/pipe to downward direction as you remove burrs in order to avoid burrs drop in the tubing.

5.3.3. Putting nut on (Fig. 5-4)

- Remove flare nuts attached to indoor and outdoor unit, then put them on pipe/tube having completed burr removal.
- (not possible to put them on after flaring work)

5.3.4. Flaring work (Fig. 5-5)

- Carry out flaring work using flaring tool as shown at the right.

Pipe diameter (mm)	Dimension	
	A (mm)	B $^{+0}_{-0.4}$ (mm)
	When the tool for R32/R410A is used	
	Clutch type	
6.35	0 - 0.5	9.1
9.52	0 - 0.5	13.2
12.7	0 - 0.5	16.6
15.88	0 - 0.5	19.7

Firmly hold copper tube in a die in the dimension shown in the table at above.

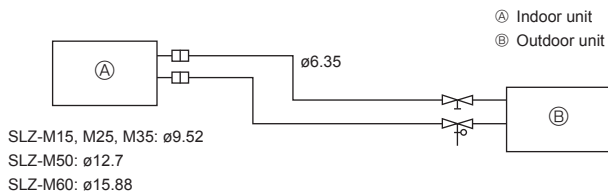


Fig. 5-1

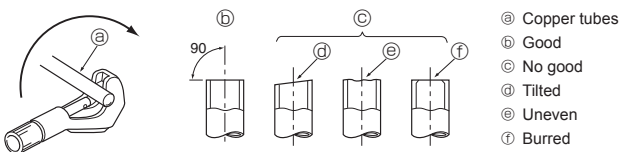


Fig. 5-2

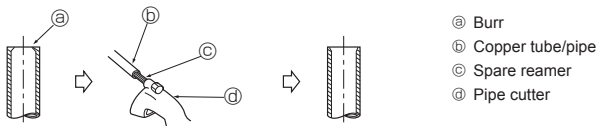


Fig. 5-3

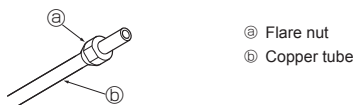


Fig. 5-4

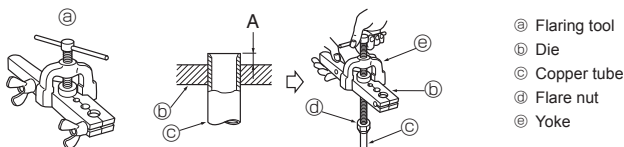


Fig. 5-5

5. Refrigerant piping work

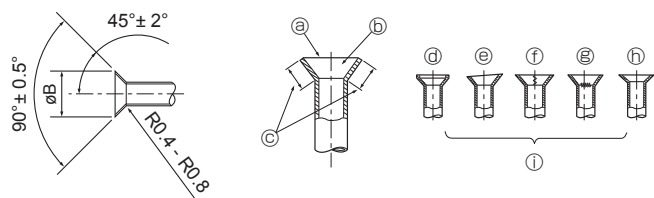


Fig. 5-6

5.3.5. Check (Fig. 5-6)

- Compare the flared work with a figure in right side hand.
- If flare is noted to be defective, cut off the flared section and do flaring work again.
 - Ⓐ Smooth all around
 - Ⓑ Inside is shining without any scratches
 - Ⓒ Even length all around
 - Ⓓ Too much
 - Ⓔ Tilted
 - Ⓘ Scratch on flared plane
 - Ⓢ Cracked
 - Ⓣ Uneven
 - Ⓤ Bad examples

5.4. Refrigerant and drainage piping locations (Fig.5-7)

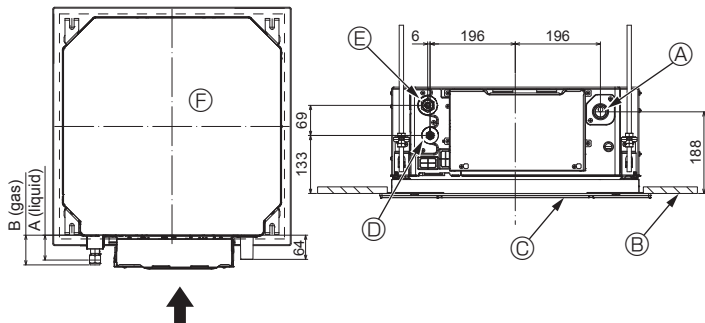


Fig. 5-7

- Ⓐ Drain pipe
- Ⓑ Ceiling
- Ⓒ Grille
- Ⓓ Refrigerant pipe (liquid)
- Ⓔ Refrigerant pipe (gas)
- Ⓝ Main unit

Model	Dimension	
	A (liquid)	B (gas)
SLZ-M15		
SLZ-M25	63 mm	72 mm
SLZ-M35		
SLZ-M50	63 mm	78 mm
SLZ-M60		

5.5. Pipe connection (Fig. 5-8)

Indoor unit

1) When using commercially available copper pipes:

- Apply thin layer of refrigerant oil to pipe and joint seating surface before tightening flare nut.
- Use two wrenches to tighten piping connections.
- Air-purge the refrigerant piping using your own refrigerant gas (don't air-purge the refrigerant charged in the outdoor unit).
- Use leak detector or soapy water to check for gas leaks after connections are completed.
- Use flared nut installed to this indoor unit.
- In case of reconnecting the refrigerant pipes after detaching, make the flared part of pipe re-fabricated.
- Use refrigerant piping insulation provided to insulate indoor unit connections. Insulate carefully following shown below.

2) Heat insulation for refrigerant pipes:

- ① Wrap the enclosed large-sized pipe cover around the gas pipe, making sure that the end of the pipe cover touches the side of the unit.
- ② Wrap the enclosed small-sized pipe cover around the liquid pipe, making sure that the end of the pipe cover touches the side of the unit.
- ③ Secure both ends of each pipe cover with the enclosed bands. (Attach the bands 20 mm from the ends of the pipe cover.)

Make sure that the slit in the pipe cover is facing upward when it is installed.

See that stop valve on outdoor unit is fully shut (unit is shipped with valve shut). After all piping connections between indoor and outdoor unit have been completed, vacuum-purge air from system through the service port for the stop valve on the outdoor unit. After completing procedures above, open outdoor unit stop valves stem fully. This completes connection of refrigerant circuit between indoor and outdoor units. Stop valve instructions are marked on outdoor unit.

Flare nut tightening

- Apply a thin coat of refrigeration oil on the seat surface of pipe.
- For connection first align the center, then tighten the first 3 to 4 turns of flare nut.
- Use tightening torque table below as a guideline for indoor unit side union joint section, and tighten using two wrenches. Excessive tightening damages the flare section.

- Ⓐ Apply refrigerating machine oil over the entire flare seat surface.
- Ⓑ Use correct flare nuts meeting the pipe size of the outdoor unit.
- Ⓒ Flare nut tightening torque

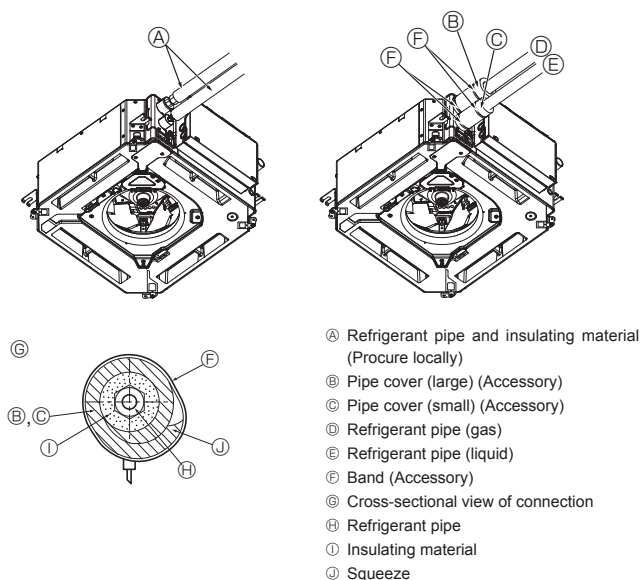


Fig. 5-8

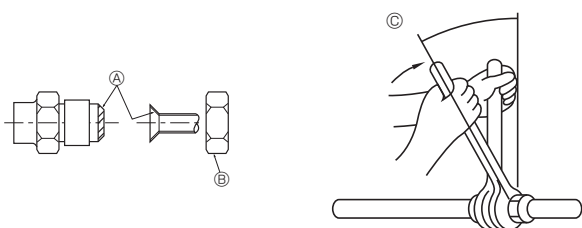


Fig. 5-9

Copper pipe O.D. (mm)	Flare nut O.D. (mm)	Tightening torque (N·m)
ø6.35	17	14 - 18
ø9.52	22	34 - 42
ø12.7	26	49 - 61
ø15.88	29	68 - 82

6. Drainage piping work

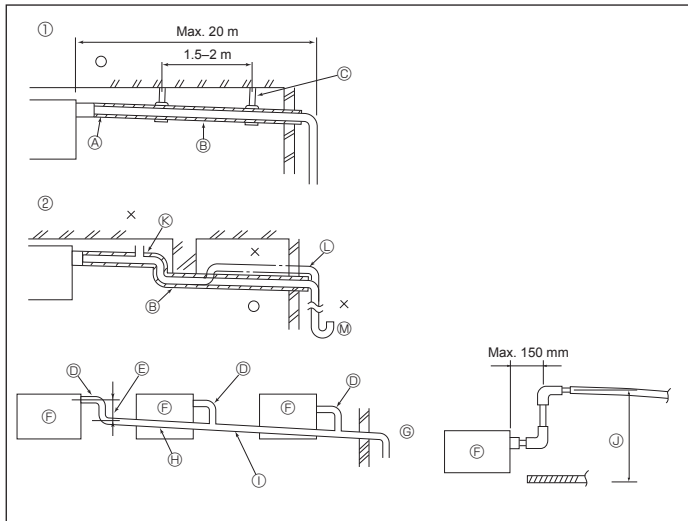


Fig. 6-1

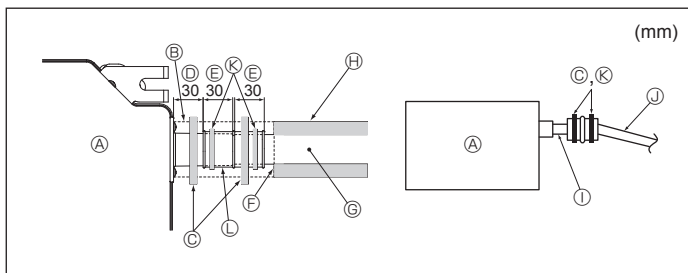


Fig. 6-2

6.1. Drainage piping work (Fig. 6-1)

- Use VP25 (O. D. ϕ 32 PVC TUBE) for drain piping and provide 1/100 or more downward slope.
- Be sure to connect the piping joints using a polyvinyl type adhesive.
- Observe the figure for piping work.
- Use the included drain hose to change the extraction direction.

- | | |
|----------------------------------|-----------------|
| ① Correct piping | Ⓒ Support metal |
| ② Wrong piping | Ⓖ Air bleeder |
| Ⓐ Insulation (9 mm or more) | Ⓛ Raised |
| Ⓔ Downward slope (1/100 or more) | Ⓜ Odor trap |

Grouped piping

- Ⓔ O. D. ϕ 32 PVC TUBE
- Ⓔ Make it as large as possible
- Ⓔ Indoor unit
- Ⓔ Make the piping size large for grouped piping.
- Ⓔ Downward slope (1/100 or more)
- Ⓛ O. D. ϕ 38 PVC TUBE for grouped piping (9 mm or more insulation)
- Ⓛ Up to 850 mm

1. Connect the drain socket (supplied with the unit) to the drain port. (Fig. 6-2) (Affix the tube using PVC adhesive then secure it with a band.)
2. Install a locally purchased drain pipe (PVC pipe, O.D. ϕ 32). (Affix the pipe using PVC adhesive then secure it with a band.)
3. Insulate the tube and pipe. (PVC pipe, O.D. ϕ 32 and socket)
4. Check that drain flows smoothly.
5. Insulate the drain port with insulating material, then secure the material with a band. (Both insulating material and band are supplied with the unit.)

- | | |
|----------------------------|---|
| Ⓐ Main unit | Ⓔ Drain pipe (O.D. ϕ 32 PVC TUBE) |
| Ⓔ Insulating material | Ⓔ Insulating material (purchased locally) |
| Ⓒ Band (large) | Ⓛ Transparent PVC pipe |
| Ⓔ Drain port (transparent) | Ⓛ O.D. ϕ 32 PVC TUBE (Slope 1/100 or more) |
| Ⓔ Insertion margin | Ⓚ Band (middle) |
| Ⓔ Matching | Ⓛ Drain socket |

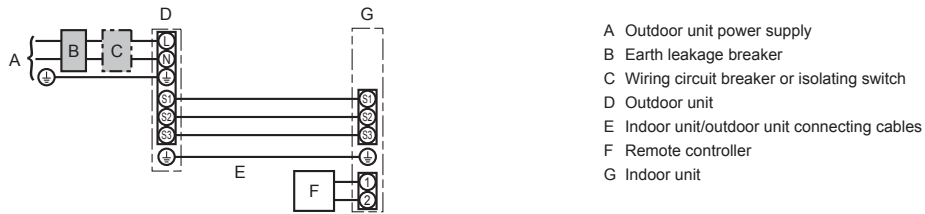
7. Electrical work

7.1. Indoor unit power supplied from outdoor unit

The following connection patterns are available.

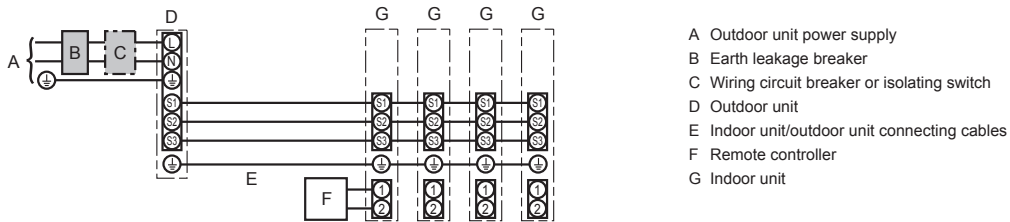
The outdoor unit power supply patterns vary on models.

1:1 System



* Affix label A that is included with the manuals near each wiring diagram for the indoor and outdoor units.

Simultaneous twin/triple/quadruple system



* Affix label A that is included with the manuals near each wiring diagram for the indoor and outdoor units.

Note:

Some units cannot be used in a simultaneous twin/triple/quadruple system. Refer to the outdoor unit installation manual for details.

Indoor unit model		SLZ-M	
Wiring Wire No. x size (mm ²)	Indoor unit-Outdoor unit	*1	3 × 1.5 (polar)
	Indoor unit-Outdoor unit earth	*1	1 × Min. 1.5
	Indoor unit earth		1 × Min. 1.5
	Remote controller-Indoor unit	*2	2 × 0.3 (Non-polar)
Circuit rating	Indoor unit (Heater) L-N	*3	—
	Indoor unit-Outdoor unit S1-S2	*3	230 VAC
	Indoor unit-Outdoor unit S2-S3	*3	24 VDC
	Remote controller-Indoor unit	*3	12 VDC

*1. Max. 45 m

If 2.5 mm² used, Max. 50 m

If 2.5 mm² used and S3 separated, Max. 80 m

*2. Max. 500 m

(When using 2 remote controllers, the maximum wiring length for the remote controller cables is 200 m.)

*3. The figures are NOT always against the ground.

S3 terminal has 24 VDC against S2 terminal. However between S3 and S1, these terminals are not electrically insulated by the transformer or other device.

Notes: 1. Wiring size must comply with the applicable local and national code.

2. Power supply cords and indoor unit/outdoor unit connecting cords shall not be lighter than polychloroprene sheathed flexible cord. (Design 60245 IEC 57)

3. Install an earth longer than other cables.

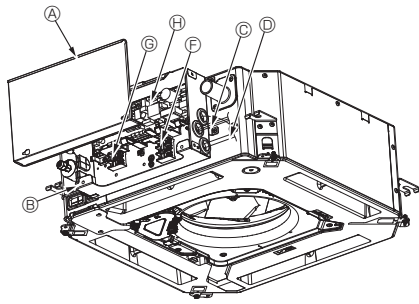
4. Indoor and outdoor connecting wires have polarities. Make sure to match the terminal number (S1, S2, S3) for correct wirings.

5. Wiring for remote controller cable shall be apart (5 cm or more) from power source wiring so that it is not influenced by electric noise from power source wiring.

⚠ Warning:

Never splice the power cable or the indoor-outdoor connection cable, otherwise it may result in a smoke, a fire or communication failure.

7. Electrical work



- Ⓐ Electric component cover
- Ⓑ Electric component box
- Ⓒ Entry for Indoor-Outdoor connecting cable
- Ⓓ Entry for wired remote controller cable
- Ⓔ Cable clamp
- Ⓕ Indoor/Outdoor unit connecting terminal
- Ⓖ Wired remote controller terminal
- Ⓗ Indoor controller
- Ⓘ Earth cable
- ⓫ Cable strap

Fig. 7-1

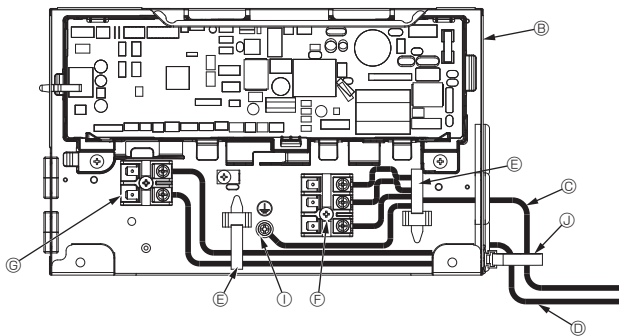


Fig. 7-2

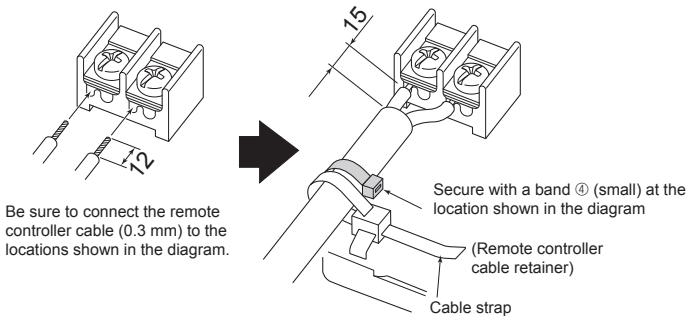
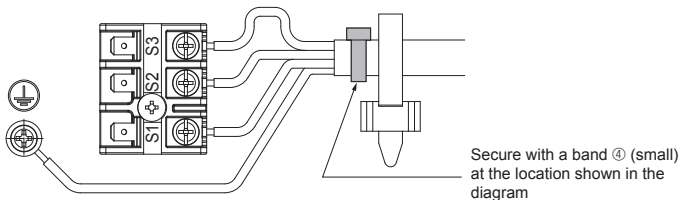


Fig. 7-3

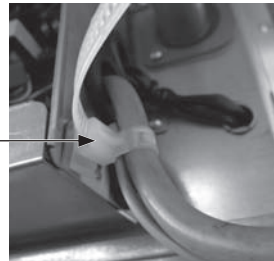
7.2. Indoor unit (Fig. 7-1) (Fig. 7-2) (Fig. 7-3)

Work procedure

1. Loosen the two screws securing the electric component cover, and then slide and remove the cover.
2. Route the wires along the wiring routes and through the wire inlets in the electric component box.
(Procure the power supply cord and indoor/outdoor unit connecting cable locally.)
3. Securely connect the power supply cord and the indoor/outdoor unit connecting cable to the terminal block.
4. Secure the wires with the cable straps inside the electric component box.
Secure the wires with cable straps as cushioning components so that no stress is applied to the connecting sections of the terminal block when tension is generated.
5. Install the electric component cover.
Make sure that the wires do not get pinched.
6. Secure the wires with the cable straps outside the electric component box.

⚠ Warning:

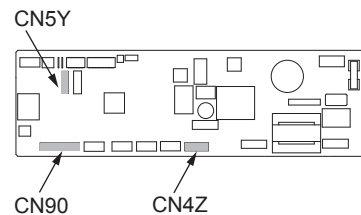
- Insert hook the electric component cover into the bent support on the electric component box and attach the cover securely. If it is attached incorrectly, it could result in a fire, electric shock due to dust, water, etc.
- Use the specified indoor/outdoor unit connecting cable to connect the indoor and outdoor units and fix the cable to the terminal block securely so that no stress is applied to the connecting section of the terminal block. Incomplete connection or fixing of the cable could result in a fire.
- Secure all of the indoor/outdoor unit connecting cables with the cable strap on the side of the electric component box.



⚠ Caution:

- Before installing the grille, make sure that the junction wire is connected.
- If the grille has signal receiver or i-See sensor, the pack of grille includes junction wire.

Signal receiver: CN90
3D i-See sensor: CN5Y
3D i-See sensor motor: CN4Z



7. Electrical work

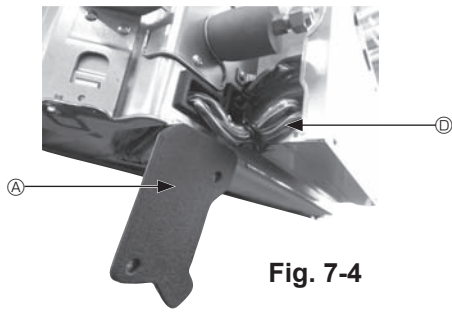


Fig. 7-4

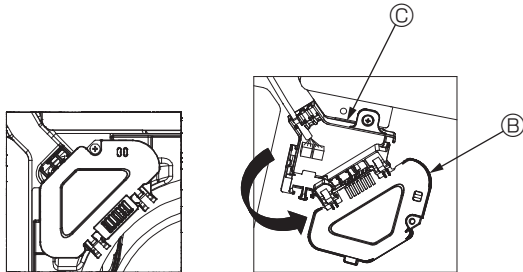


Fig. 7-5

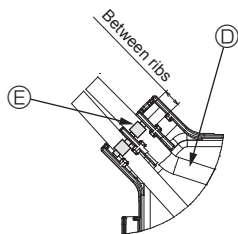


Fig. 7-6

7.2.1. Installing the i-See sensor and signal receiver

Before installing the grille, connect the junction wires included with the grille accessories and place them in the connector box.

- ① Remove the two screws securing the wire cover of the main unit, and then open the cover.
- ② Route the wires of the i-See sensor and signal receiver through the wire inlets in the electric component box as shown in the diagram and around the bushings on the side of the main unit. (Fig. 7-4)
When routing the wires, open the clamp securing the grille junction wire, and then secure the grille junction wire and the wires of the i-See sensor and signal receiver with the clamp.
- ③ Remove the one screw securing the connector box cover, and then open the cover. (Fig. 7-5)
- ④ Place the junction wire connector in the connector box.
- ⑤ Install the wire cover and connector box cover.

⚠ Caution:

When installing the covers, make sure that the wires do not get pinched. Fit the band securing the junction wires between the ribs on the connector box as shown in the diagram. (Fig. 7-6)

- Ⓐ Wire cover
- Ⓑ Connector box cover
- Ⓒ Connector box
- Ⓓ i-See sensor or signal receiver lead wire (Grille accessory)
- Ⓔ Band

7. Electrical work

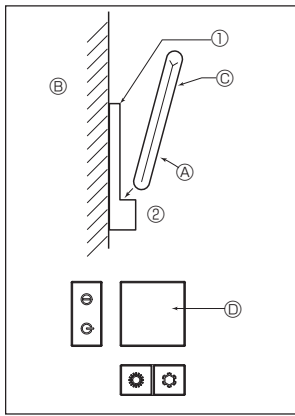


Fig. 7-7

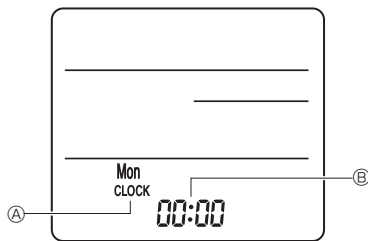


Fig. 7-8

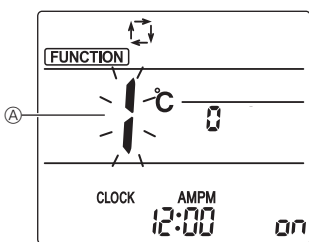
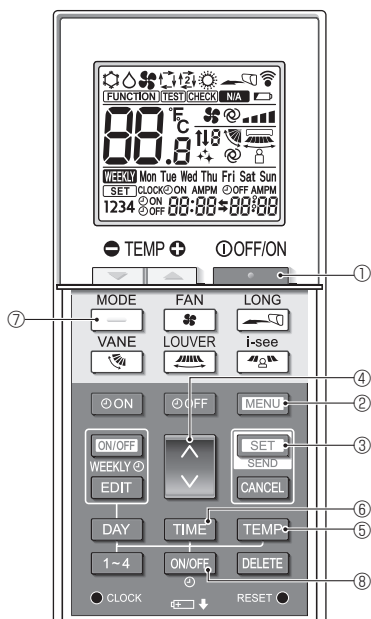


Fig. 7-9

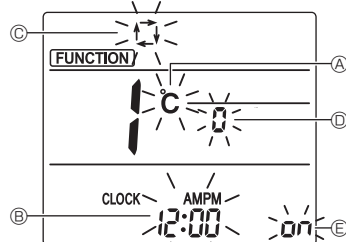


Fig. 7-10

7.3. Remote controller

7.3.1. Wired remote controller

1) Installing procedures

Refer to the installation manual that comes with each remote controller for details.

2) Function selection of remote controller

If two remote controllers are connected, set one to "Main" and the other to "Sub". For setting procedures, refer to "Function selection of remote controller" in the operation manual for the indoor unit.

7.3.2. For wireless remote controller

1) Installation area

- Area in which the remote controller is not exposed to direct sunshine.
- Area in which there is no nearby heating source.
- Area in which the remote controller is not exposed to cold (or hot) winds.
- Area in which the remote controller can be operated easily.
- Area in which the remote controller is beyond the reach of children.

2) Installation method (Fig. 7-7)

- ① Attach the remote controller holder to the desired location using 2 tapping screws.
 - ② Place the lower end of the controller into the holder.
 - Ⓐ Remote controller Ⓑ Wall Ⓒ Display panel Ⓓ Receiver
- The signal can travel up to approximately 7 meters (in a straight line) within 45 degrees to both right and left of the center line of the receiver.

3) Setting (Clock setting) (Fig. 7-8)

- ① Insert batteries or press the **CLOCK** button with something sharp. [CLOCK] Ⓐ and [.] Ⓑ blinks.
- ② Press the **RESET** button with something sharp.
- ③ Press the **▲** button to set the time. Press the **DAY** button to set the Day.
- ④ Press the **CLOCK** button with something sharp at the end. [CLOCK] and [.] lighted.

4) Initial setting

The following settings can be made in the initial setting mode.

Item	Setting	Fig. 7-10
Temperature unit	°C/°F	Ⓐ
Time display	12-hour format/24-hour format	Ⓑ
AUTO mode	Single set point/Dual set point	Ⓒ
Pair No.	0-3	Ⓓ
Backlight	On/Off	Ⓔ

4-1. Switching to the initial setting mode

1. Press the **★** button ① to stop the air conditioner.
2. Press the **MENU** button ②. The Function setting screen will be displayed and the function No. Ⓐ will blink. (Fig. 7-9) Press the **▲** button ④ to change the function No.
3. Check that function No. "1" is displayed, and then press the **SET** button ③. The display setting screen will be displayed. (Fig. 7-10)

4-2. Changing the temperature unit Ⓐ

Press the **TEMP** button ⑤.

Each time the **TEMP** button ⑤ is pressed, the setting switches between **°C** and **°F**.
°C: The temperature is displayed in degrees Celsius.
°F: The temperature is displayed in degrees Fahrenheit.

4-3. Changing the time display Ⓑ

Press the **TIME** button ⑥.

Each time the **TIME** button ⑥ is pressed, the setting switches between **12:00^{AMP}** and **24:00**.

12:00^{AMP}: The time is displayed in the 12-hour format.

24:00: The time is displayed in the 24-hour format.

4-4. Changing the AUTO mode Ⓒ

Press the **—** button ⑦.

Each time the **—** button ⑦ is pressed, the setting switches between **🔄** and **🔄i**.

🔄: The AUTO mode operates as the usual automatic mode.

🔄i: The AUTO mode operates using dual set points.

4-5. Changing the pair No. Ⓓ

Press the **▼** button ④.

Each time the **▼** button ④ is pressed, the pair No. 0-3 changes.

Pair No. of wireless remote controller	Indoor PC board
0	Initial setting
1	Cut J41
2	Cut J42
3	Cut J41, J42

4-6. Changing the backlight setting Ⓔ

Press the **ON/OFF** button ⑧.

Each time the **ON/OFF** button ⑧ is pressed, the setting switches between **on** and **off**.

on: The backlight comes on when a button is pressed.

off: The backlight does not come on when a button is pressed.

7. Electrical work

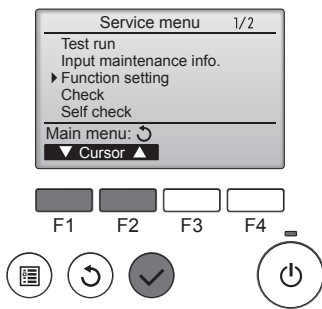


Fig. 7-11

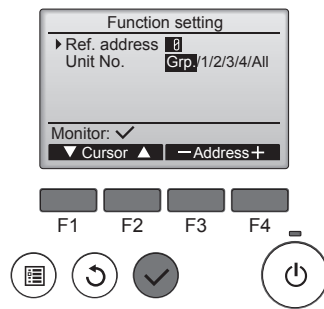


Fig. 7-12

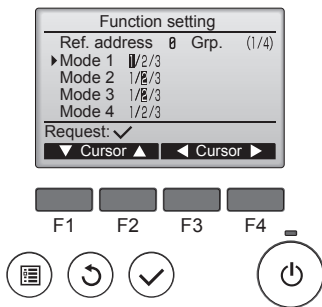


Fig. 7-13

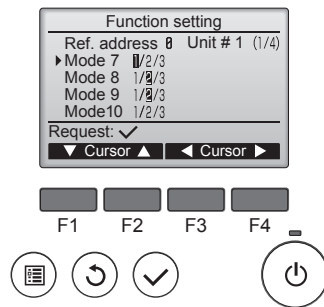


Fig. 7-14

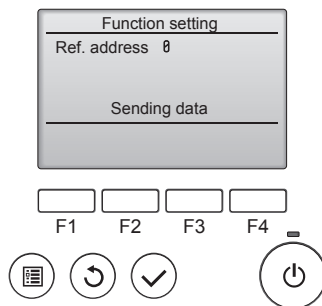


Fig. 7-15

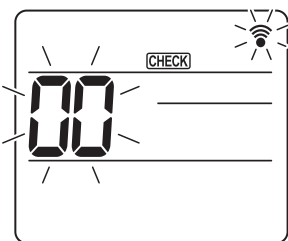


Fig. 7-16

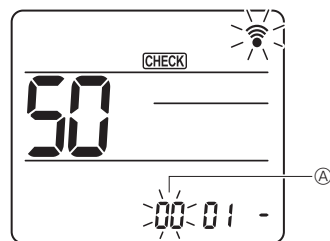


Fig. 7-17

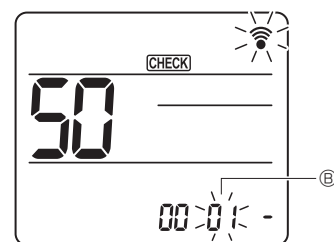


Fig. 7-18

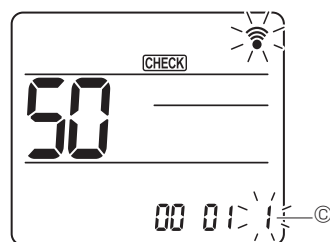


Fig. 7-19

7.4. Function settings

7.4.1. By wired remote controller

- ① (Fig. 7-11)
 - Select "Service" from the Main menu, and press the [SELECT] button.
 - Select "Function setting" with the [F1] or [F2] button, and press the [SELECT] button.

- ② (Fig. 7-12)
 - Set the indoor unit refrigerant addresses and unit numbers with the [F1] through [F4] buttons, and then press the [SELECT] button to confirm the current setting.

<Checking the Indoor unit No.>

When the [SELECT] button is pressed, the target indoor unit will start fan operation. If the unit is common or when running all units, all indoor units for the selected refrigerant address will start fan operation.

- ③ (Fig. 7-13)
 - When data collection from the indoor units is completed, the current settings appears highlighted. Non-highlighted items indicate that no function settings are made. Screen appearance varies depending on the "Unit No." setting.

- ④ (Fig. 7-14)
 - Use the [F1] or [F2] button to move the cursor to select the mode number, and change the setting number with the [F3] or [F4] button.

- ⑤ (Fig. 7-15)
 - When the settings are completed, press the [SELECT] button to send the setting data from the remote controller to the indoor units.
 - When the transmission is successfully completed, the screen will return to the Function setting screen.

7.4.2. By wireless remote controller (Fig. 7-16, Fig. 7-17, Fig. 7-18, Fig. 7-19)

- ① Going to the function select mode
 - Press the [MENU] button between of 5 seconds.
 - (Start this operation from the status of remote controller display turned off.)
 - [CHECK] is lighted and "00" blinks. (Fig. 7-16)
 - Press the [50] button to set the "50".
 - Direct the wireless remote controller toward the receiver of the indoor unit and press the [SET] button.
 - ② Setting the unit number
 - Press the [01] button to set unit number ①. (Fig. 7-17)
 - Direct the wireless remote controller toward the receiver of the indoor unit and press the [SET] button.
 - ③ Select a mode
 - Press the [50] button to set Mode number ②. (Fig. 7-18)
 - Direct the wireless remote controller toward the receiver of the indoor unit and press the [SET] button.
- Current setting number:
- 1=1 beep (1 second)
 - 2=2 beep (1 second each)
 - 3=3 beep (1 second each)
- ④ Selecting the setting number
 - Use the [01] button to change the Setting number ③. (Fig. 7-19)
 - Direct the wireless remote controller toward the receiver of the indoor unit and press the [SET] button.
 - ⑤ To select multiple functions continuously
 - Repeat select ③ and ④ to change multiple function settings continuously.
 - ⑥ Complete function selection
 - Direct the wireless remote controller toward the sensor of the indoor unit and press the [OFF/ON] button.

Note:

Make the above settings on Mr. Slim units as necessary.

- Table 1 summarizes the setting options for each mode number.
- Be sure to write down the settings for all functions if any of the initial settings has been changed after the completion of installation work.

7. Electrical work

Function table

Select unit number 00 [table 1]

Mode	Settings	Mode no.	Setting no.	Initial setting	setting
Power failure automatic recovery	Not available	01	1		
	Available *1		2	○*2	
Indoor temperature detecting	Indoor unit operating average	02	1	○	
	Set by indoor unit's remote controller		2		
	Remote controller's internal sensor		3		

Select unit numbers 01 to 03 or all units (AL [wired remote controller]/07 [wireless remote controller])

Mode	Settings	Mode no.	Setting no.	Initial setting	setting
Filter sign	100Hr	07	1		
	2500Hr		2	○	
	No filter sign indicator		3		
Fan speed	Silent	08	1		
	Standard		2	○	
	High ceiling		3		
Up/down vane setting	Not setting	11	1		
	Draft-less setting (vanes angle setup ①)		2	○	
	Downward setting (vanes angle setup ②)		3		
3D i-See sensor positioning *3	Position ① ("□" stamp position, page 20)	12	1		
	(Position ①)		2		
	Position ③ ("○" stamp position, page 20)		3	○	
Fan speed during the cooling thermostat is OFF	Setting fan speed	27	1		
	Stop		2		
	Extra low		3	○	

*1 When the power supply returns, the air conditioner will start 3 minutes later.

*2 Power failure automatic recovery initial setting depends on the connecting outdoor unit.

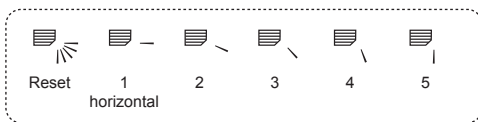
*3 When the 3D i-See sensor corner panel position changed, change this mode. Refer to page 20.

7.4.3. How to set the fixed up/down air direction

- Only the particular outlet can be fixed to certain direction with the procedures below. Once fixed, only the set outlet is fixed every time air conditioner is turned on. (Other outlets follow UP/DOWN air direction setting of the remote controller.)

■ Explanation of word

- "Refrigerant address No." and "Unit No." are the numbers given to each air conditioner.
- "Outlet No." is the number given to each outlet of air conditioner. (Refer to the right.)
- "Up/Down air direction" is the direction (angle) to fix.



Remote controller setting

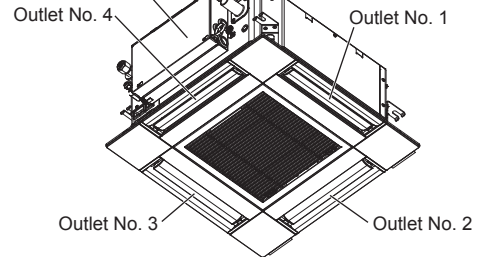
The airflow direction of this outlet is controlled by the airflow direction setting of remote controller.

Fixed setting

The airflow direction of this outlet is fixed in particular direction.

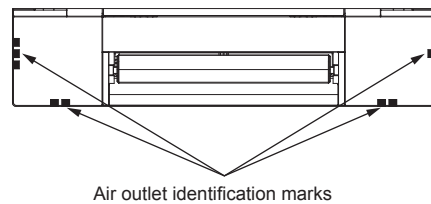
* When it is cold because of direct airflow, the airflow direction can be fixed horizontally to avoid direct airflow.

Electric component box

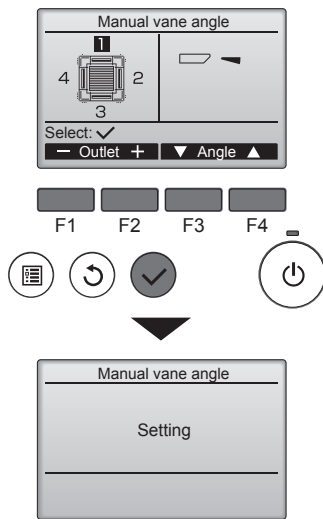


Note:

The outlet No. is indicated by the number of grooves on both ends of each air outlet. Set the air direction while checking the information shown on the remote controller display.



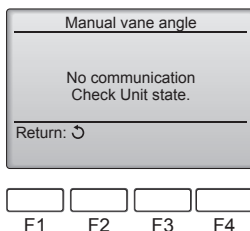
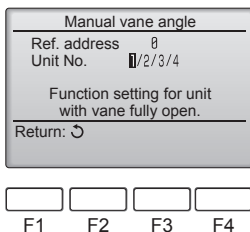
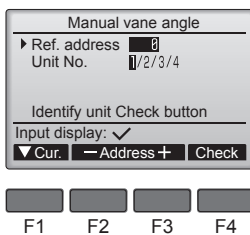
7. Electrical work



If all outlets are selected, will be displayed the next time the unit goes into operation.

Navigating through the screens

- To go back to the Main menu[MENU] button
- To return to the previous screen[RETURN] button



The current vane setting will appear.

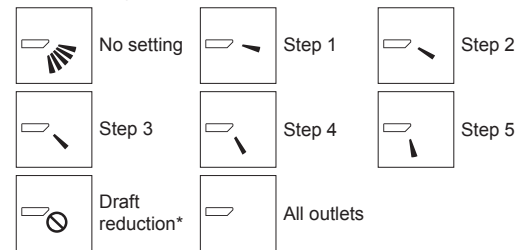
Select the desired outlets from 1 through 4 with the [F1] or [F2] button.

- Outlet: "1", "2", "3", "4", and "1, 2, 3, 4, (all outlets)"

Press the [F3] or [F4] button to go through the option in the order of "No setting (reset)", "Step 1", "Step 2", "Step 3", "Step 4", "Step 5", and "Draft reduction".

Select the desired setting.

■ Vane setting



* Draft reduction

The airflow direction for this setting is more horizontal than the airflow direction for the "Step 1" setting in order to reduce a drafty feeling. The draft reduction can be set for only 1 vane.

Press the [SELECT] button to save the settings.

A screen will appear that indicates the setting information is being transmitted.

The setting changes will be made to the selected outlet.

The screen will automatically return to the one shown above (step 4) when the transmission is completed.

Make the settings for other outlets, following the same procedures.

Confirmation procedure

① First, confirm by setting "Ref. address" to 0 and "Unit No." to 1.

- Move the cursor to "Ref. address" or "Unit No." with the [F1] button to select.
- Select the refrigerant address and the unit number for the units to whose vanes are to be fixed, with the [F2] or [F3] button, and press the [SELECT] button.
- Ref. address: Refrigerant address
- Unit No.: 1, 2, 3, 4

Press the [F4] button to confirm the unit.

② Change the "Unit No." in order and check each unit.

- Press the [F1] button to select "Unit No.".
- Press the [F2] or [F3] button to change the "Unit No." to the unit that you want to check, and then press the [F4] button.
- After pressing the [F4] button, wait approximately 15 seconds, and then check the current state of the air conditioner.
 - The vane is pointing downward. → This air conditioner is displayed on the remote controller.
 - All outlets are closed. → Press the [RETURN] button and continue the operation from the beginning.
 - The messages shown to the left are displayed. → The target device does not exist at this refrigerant address.
- Press the [RETURN] button to return to the initial screen.

③ Change the "Ref. address" to the next number.

- Refer to step ① to change the "Ref. address" and continue with the confirmation.

8. Test run

8.1. Before test run

- ▶ After completing installation and the wiring and piping of the indoor and outdoor units, check for refrigerant leakage, looseness in the power supply or control wiring, wrong polarity, and no disconnection of one phase in the supply.
- ▶ Use a 500-volt megohmmeter to check that the resistance between the power supply terminals and ground is at least 1.0 MΩ.

▶ Do not carry out this test on the control wiring (low voltage circuit) terminals.

⚠ **Warning:**
Do not use the air conditioner if the insulation resistance is less than 1.0 MΩ.

8.2. Test run

8.2.1. Using wired remote controller

- Make sure to read operation manual before test run. (Especially items to secure safety)

Step 1 Turn on the power.

- Remote controller: The system will go into startup mode, and the remote controller power lamp (green) and "PLEASE WAIT" will blink. While the lamp and message are blinking, the remote controller cannot be operated. Wait until "PLEASE WAIT" is not displayed before operating the remote controller. After the power is turned on, "PLEASE WAIT" will be displayed for approximately 2 minutes.
 - Indoor controller board: LED 1 will be lit up, LED 2 will be lit up (if the address is 0) or off (if the address is not 0), and LED 3 will blink.
 - Outdoor controller board: LED 1 (green) and LED 2 (red) will be lit up. (After the startup mode of the system finishes, LED 2 will be turned off.) If the outdoor controller board uses a digital display, [-] and [-] will be displayed alternately every second.
- If the operations do not function correctly after the procedures in step 2 and thereafter are performed, the following causes should be considered and eliminated if they are found.
(The symptoms below occur during the test run mode. "Startup" in the table means the LED display written above.)

Symptoms in test run mode		Cause
Remote Controller Display	OUTDOOR BOARD LED Display < > indicates digital display.	
Remote controller displays "PLEASE WAIT", and cannot be operated.	After "startup" is displayed, only green lights up. <00>	• After power is turned on, "PLEASE WAIT" is displayed for 2 minutes during system startup. (Normal)
After power is turned on, "PLEASE WAIT" is displayed for 3 minutes, then error code is displayed.	After "startup" is displayed, green(once) and red(once) blink alternately. <F1>	• Incorrect connection of outdoor terminal block (R, S, T and S ₁ , S ₂ , S ₃ .)
	After "startup" is displayed, green(once) and red(twice) blink alternately. <F3, F5, F9>	• Outdoor unit's protection device connector is open.
No display appears even when remote controller operation switch is turned on. (Operation lamp does not light up.)	After "startup" is displayed, green(twice) and red(once) blink alternately. <EA, Eb>	• Incorrect wiring between the indoor and outdoor unit (Polarity is wrong for S ₁ , S ₂ , S ₃ .)
	After "startup" is displayed, only green lights up. <00>	• Remote controller transmission wire short.
Display appears but soon disappears even when remote controller is operated.	After "startup" is displayed, only green lights up. <00>	• There is no outdoor unit of address 0. (Address is other than 0.)
		• Remote controller transmission wire open.
		• After canceling function selection, operation is not possible for about 30 seconds. (Normal)

Step 2 Switch the remote controller to "Test run".

- ① Select "Test run" from the Service menu, and press the [SELECT] button. (Fig. 8-1)
- ② Select "Test run" from the Test run menu, and press the [SELECT] button. (Fig. 8-2)
- ③ The test run operation starts, and the Test run operation screen is displayed.

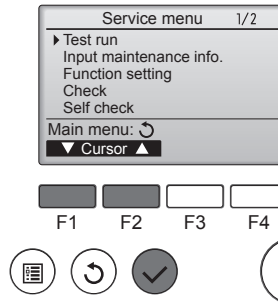


Fig. 8-1

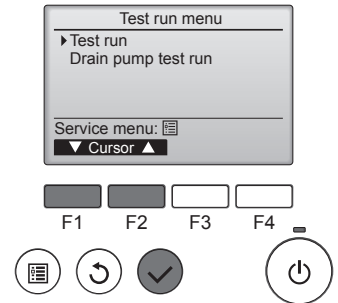


Fig. 8-2

Step 3 Perform the test run and check the airflow temperature and auto vane.

- ① Press the [F1] button to change the operation mode. (Fig. 8-3)
Cooling mode: Check that cool air blows from the unit.
Heating mode: Check that warm air blows from the unit.
- ② Press the [SELECT] button to display the Vane operation screen, and then press the [F1] and [F2] buttons to check the auto vane. (Fig. 8-4)
Press the [RETURN] button to return to the Test run operation screen.
If the vanes do not move, check that the junction wire connectors are connected securely and the connector colors match.

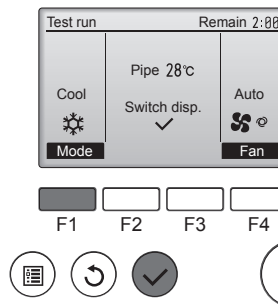


Fig. 8-3

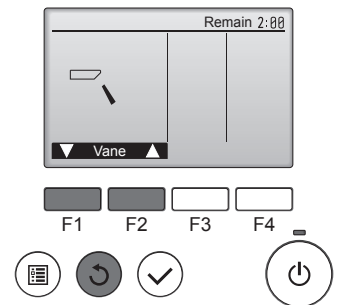


Fig. 8-4

Step 4 Confirm the operation of the outdoor unit fan.

The speed of the outdoor unit fan is controlled in order to control the performance of the unit. Depending on the ambient air, the fan will rotate at a slow speed and will keep rotating at that speed unless the performance is insufficient. Therefore, the outdoor wind may cause the fan to stop rotating or to rotate in the opposite direction, but this is not a problem.

8. Test run

Step 5 Stop the test run.

① Press the [ON/OFF] button to stop the test run. (The Test run menu will appear.)

Note: If an error is displayed on the remote controller, see the table below.

[Output pattern A] Errors detected by indoor unit

Wireless remote controller Beeper sounds/OPERATION INDICATOR lamp blinks (Number of times)	Wired remote controller Check code	Symptom	Remark
1	P1	Intake sensor error	
2	P2	Pipe (TH2) sensor error	
	P9	Pipe (TH5) sensor error	
3	E6, E7	Indoor/outdoor unit communication error	
4	P4	Drain sensor error / Float switch connector open	
5	P5	Drain pump error	
	PA	Forced compressor error	
6	P6	Freezing/Overheating protection operation	
7	EE	Communication error between indoor and outdoor units	
8	P8	Pipe temperature error	
9	E4	Remote controller signal receiving error	
10	—	—	
11	PB (Pb)	Indoor unit fan motor error	
12	FB (Fb)	Indoor unit control system error (memory error, etc.)	
14	PL	Refrigerant circuit abnormal	
No sound	E0, E3	Remote controller transmission error	
No sound	E1, E2	Remote controller control board error	
No sound	— — — —	No corresponding	

[Output pattern B] Errors detected by unit other than indoor unit (outdoor unit, etc.)

Wireless remote controller Beeper sounds/OPERATION INDICATOR lamp blinks (Number of times)	Wired remote controller Check code	Symptom	Remark
1	E9	Indoor/outdoor unit communication error (Transmitting error) (Outdoor unit)	For details, check the LED display of the outdoor controller board.
2	UP	Compressor overcurrent interruption	
3	U3, U4	Open/short of outdoor unit thermistors	
14	PL or Others	Abnormality of refrigerant circuit or other errors	

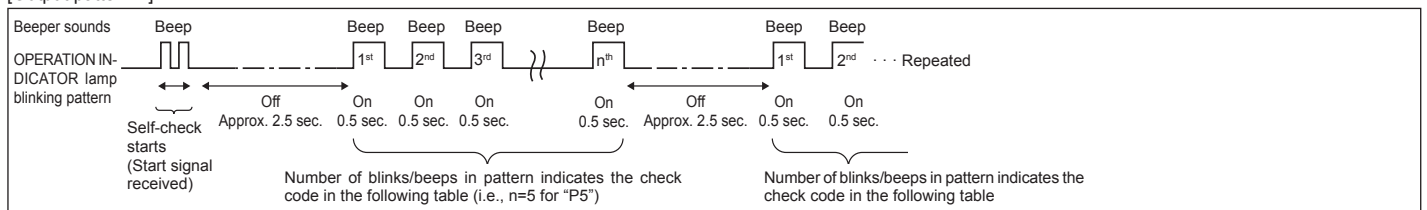
*1 If the beeper does not sound again after the initial 2 beeps to confirm the self-check start signal was received and the OPERATION INDICATOR lamp does not come on, there are no error records.

*2 If the beeper sounds 3 times continuously "beep, beep, beep (0.4 + 0.4 + 0.4 sec.)" after the initial 2 beeps to confirm the self-check start signal was received, the specified refrigerant address is incorrect.

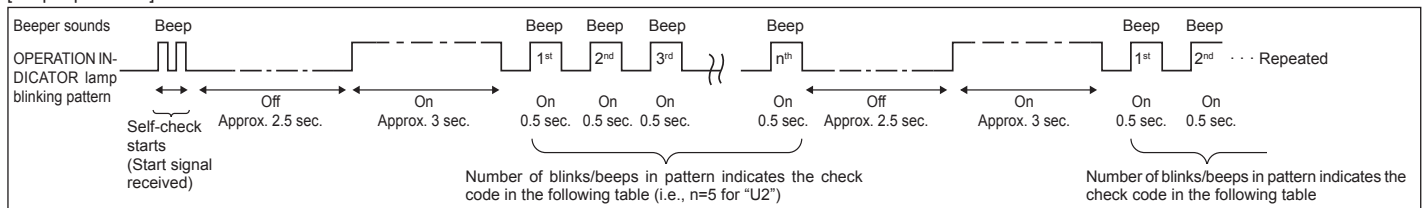
- On wireless remote controller
The continuous buzzer sounds from receiving section of indoor unit.
Blink of operation lamp
- On wired remote controller
Check code displayed in the LCD.

- Refer to the following tables for details on the check codes. (Wireless remote controller)

[Output pattern A]



[Output pattern B]



See the table below for the details of the LED display (LED 1, 2, and 3) on the indoor controller board.

LED 1 (microcomputer power supply)	Indicates whether control power is supplied. Make sure that this LED is always lit.
LED 2 (remote controller power supply)	Indicates whether power is supplied to the wired remote controller. The LED is lit only for the indoor unit that is connected to the outdoor unit that has an address of 0.
LED 3 (indoor/outdoor unit communication)	Indicates whether the indoor and outdoor units are communicating. Make sure that this LED is always blinking.

Note:

If the unit is operated continuously during a test run, the unit stops after 2 hours.

8. Test run

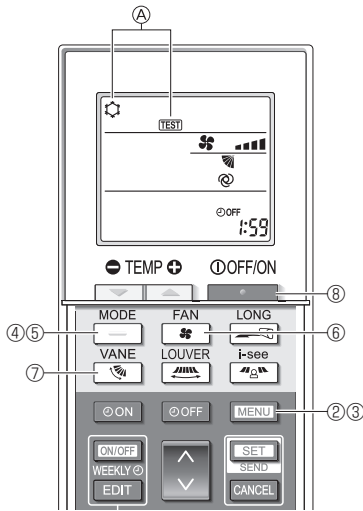
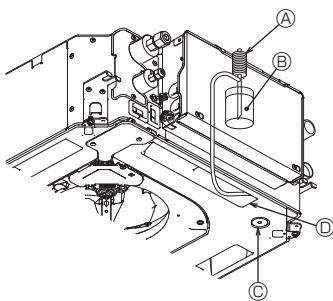


Fig. 8-5



- Ⓐ Water supply pump
 - Ⓑ Water (about 1000 cc)
 - Ⓒ Drain plug
 - Ⓓ Pour water through outlet
- Be careful not to spray water into the drain pump mechanism.

Fig. 8-6

8.2.2. Using the wireless remote controller

- ① Turn on the power to the unit at least 12 hours before the test run.
- ② Press the **MENU** button for 5 seconds. (Fig. 8-5)
(Perform this operation when the remote controller display is turned off.)
- ③ Press the **MENU** button.
- Ⓐ **[TEST]** and the current operation mode are displayed. (Fig. 8-5)
- ④ Press the **MODE** button to activate cool mode, then check whether cool air is blown out from the unit.
- ⑤ Press the **MODE** button to activate heat mode, then check whether warm air is blown out from the unit.
- ⑥ Press the **FAN** button and check whether the fan speed changes.
- ⑦ Press the **VANE** button and check whether the auto vane operates properly.
- ⑧ Press the **LONG** button to stop the test run.
(After two hours, a signal will be sent to stop the test run.)

Note:

- Point the remote controller towards the indoor unit receiver while following steps ③ to ⑧.
- It is not possible to perform the test run in **FAN, DRY, or AUTO** mode.

8.3. Self-check

- Refer to the installation manual that comes with each remote controller for details.

8.4. Check of drainage (Fig. 8-6)

- Ensure that the water is being properly drained out and that no water is leaking from joints.

When electric work is completed.

- Pour water during cooling operation and check.

When electric work is not completed.

- Pour water during emergency operation and check.

* Drain pump and fan are activated simultaneously when single phase 230 V is turned on to S1 and S2 on terminal block after the connector (SWE) on controller board in the electrical component box is set to ON.

Be sure to turn it back to the former state after work.

9. System control

Refer to the outdoor unit installation manual.

10. Installing the grille

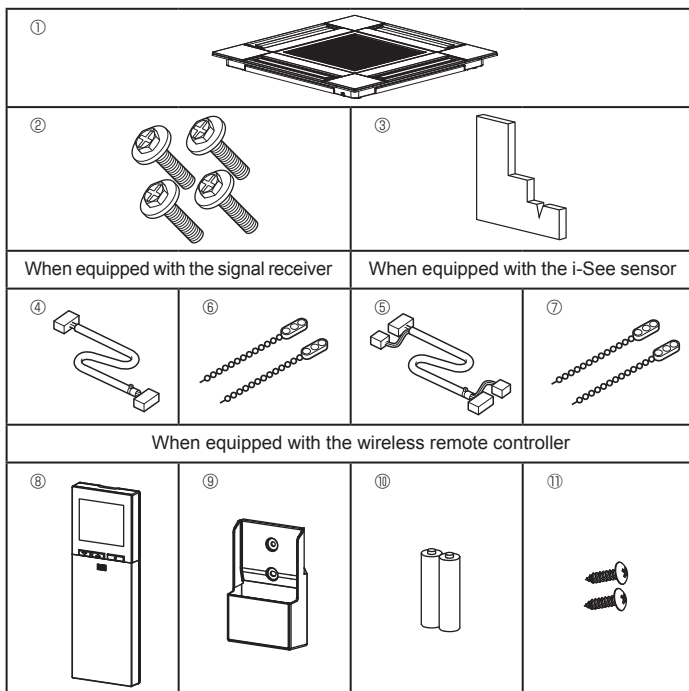


Fig. 10-1

10.1. Check the grille accessories (Fig. 10-1)

- The grille should be supplied with the following accessories.

	Accessory name	Q'ty	Remark
①	Grille	1	625 × 625 (mm)
②	Screw with washer	4	M5 × 0.8 × 25 (mm)
③	Gauge	1	
④	Junction wire for signal receiver	1	Included when equipped with the signal receiver.
⑤	Junction wire for i-See sensor	1	Included when equipped with the i-See sensor.
⑥	Fastener	2	Included when equipped with the signal receiver.
⑦	Fastener	2	Included when equipped with the i-See sensor.
⑧	Wireless remote controller	1	Included when equipped with the wireless remote controller.
⑨	Remote controller holder	1	Included when equipped with the wireless remote controller.
⑩	LR6 AA batteries	2	Included when equipped with the wireless remote controller.
⑪	3.5 × 16 tapping screws	2	Included when equipped with the wireless remote controller.

10. Installing the grille

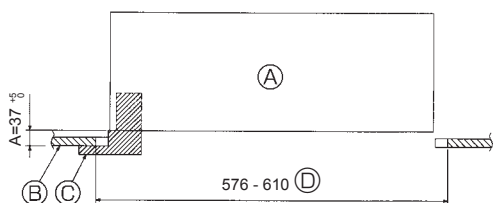


Fig. 10-2

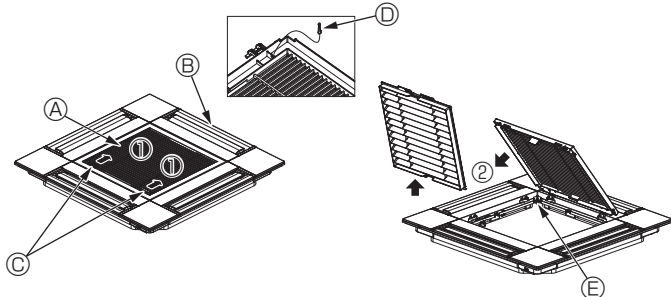


Fig. 10-3

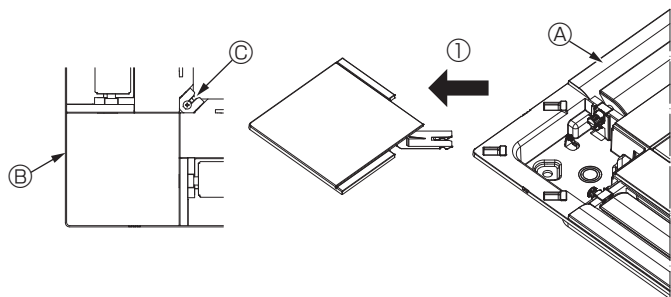
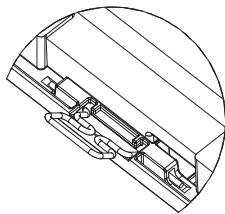
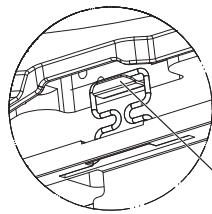


Fig. 10-4

<Hook is in the raised position>



<Grille hook>



Main unit hook

Fig. 10-5

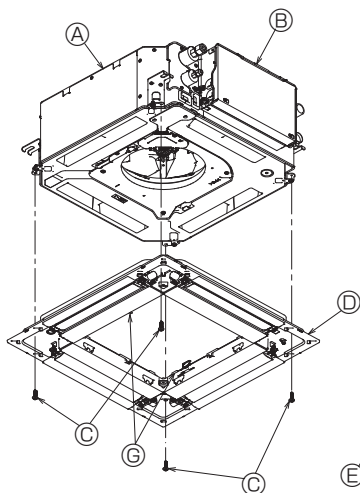


Fig. 10-6

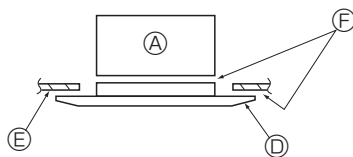


Fig. 10-7

10.2. Preparing to attach the grille (Fig. 10-2)

- With the gauge supplied with this kit, adjust and check the positioning of the unit relative to the ceiling. If the unit is not properly positioned in the ceiling, there may be air leaks, condensation may form, or the up/down vanes may not operate correctly.
- Make sure that the opening in the ceiling is within the following tolerances: 576 × 576 - 610 × 610
- Make sure that step A is performed within 37-42 mm. Damage could result by failing to adhere to this range.

- Ⓐ Main unit
- Ⓑ Ceiling
- Ⓒ Gauge (Accessory)
- Ⓓ Ceiling opening dimensions

10.2.1. Removing the intake grille (Fig. 10-3)

- Slide the levers in the direction indicated by the arrow ① to open the intake grille.
- Unlatch the hook that secures the grille.
 - * Do not unlatch the hook for the intake grille.
- With the intake grille in the "open" position, remove the hinge of the intake grille from the grille as indicated by the arrow ②.

- Ⓐ Intake grille
- Ⓑ Grille
- Ⓒ Intake grille levers
- Ⓓ Grille hook
- Ⓔ Hole for the grille's hook

10.2.2. Removing the corner panel (Fig. 10-4)

- Loosen the screw from the corner of the corner panel. Slide the corner panel as indicated by the arrow ① to remove the corner panel.

- Ⓐ Grille
- Ⓑ Corner panel
- Ⓒ Screw

10.3. Installing the grille

- Please pay attention because there is a restriction in the attachment position of the grille.

10.3.1. Temporarily installing the grille

- Align the screw holes in the corners of the grille with the screw mounting holes in the corners of the main unit, latch the two hooks on the grille onto the drain pan projections on the main unit, and temporarily hang the grille. (Fig. 10-5)

⚠ Caution:

When installing the i-See sensor and signal receiver, place the junction wires in the connector box before temporarily hanging the grille. Refer to 7.2.1. on page 11 to route the junction wires.

10.3.2. Securing the grille

- Secure the grille by tightening the four screws. (Fig. 10-6)
- * Make sure that there are no gaps between the main unit and the panel or the panel and the ceiling. (Fig. 10-7)

- Ⓐ Main unit
- Ⓑ Electric component box
- Ⓒ Screw with washer (Accessory)
- Ⓓ Grille
- Ⓔ Ceiling
- Ⓕ Make sure that there are no gaps.
- Ⓖ Temporarily hanging hooks on the panel

⚠ Caution:

- When tightening the screw with captive washer ③, tighten it at a torque of 4.8 N·m or less. Never use an impact screwdriver. It may result in parts damage.
- After tightening the screw, confirm that the two grille hooks (Fig. 10-5) are latched onto the hooks on the main unit.

10. Installing the grille

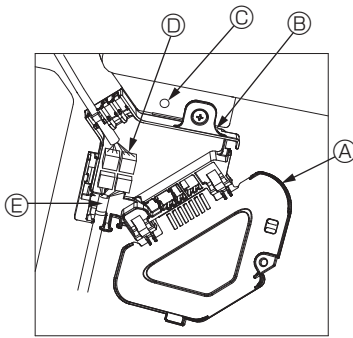


Fig. 10-8

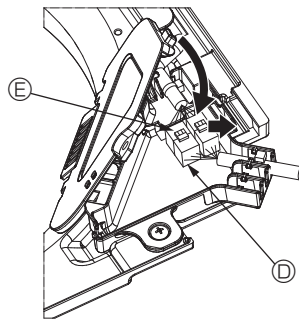


Fig. 10-9

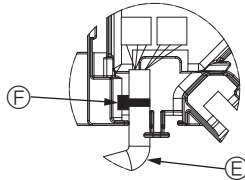


Fig. 10-10

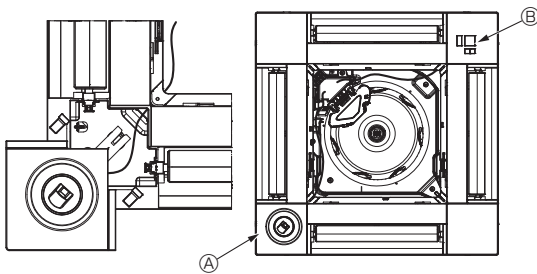


Fig. 10-11

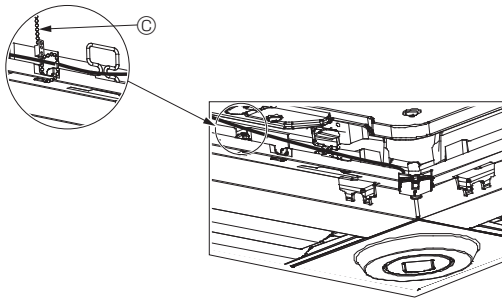


Fig. 10-12

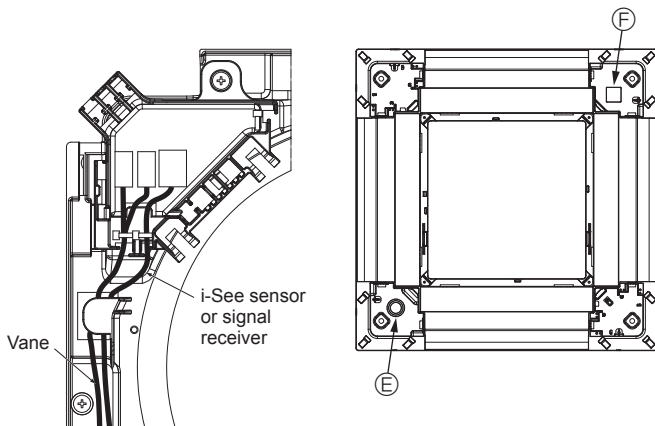


Fig. 10-13

10.3.3. Connecting the wires

- ① Remove the one screw securing the connector box cover, and then open the cover.
- ② Securely connect the junction wire connector of the vane motor and the panel vane motor wire connector in the connector box. (Fig. 10-8)

There are two vane motor connectors: one blue connector and one orange connector. Make sure that the connector colors match when connecting them.

- ③ Close the connector box cover.

When closing the connector box cover, slide the cover in the direction indicated by the arrow and make sure that the projection is firmly inserted. (Fig. 10-9)

- A Connector box cover
- B Connector box
- C Securing screw
- D Junction connector
- E Wire connector for the vane motor
- F Band

⚠ Caution:

- Place the band securing the panel vane motor wire in the connector box as shown in the diagram. (Fig. 10-10)
- When closing the connector box cover, make sure that the wires do not get pinched.

10.3.4. Wiring the i-See sensor corner panel and signal receiver

- Install the i-See sensor and signal receiver at the corners of the panel at the locations stamped with "○" or "□". (The positions may be reversed.)
- Route the i-See sensor and signal receiver wires through the square holes at the corners of the panel and install them.
- Connect the junction wire connector and the wire connectors of the i-See sensor and signal receiver in the connector box.
- Close the connector box cover.
- Secure the i-See sensor and signal receiver wires to the panel with the fastener as shown in the diagram so that there is no slack in the wires, and then cut off the excess end of the fastener. (Fig. 10-12)
- Place the i-See sensor and signal receiver wires to the inside of the flange on the panel.
- If the position of the i-See sensor was changed from the "○" position (E) to the "□" position (F), change the function settings. (Refer to page 14.)

⚠ Caution:

- Route the i-See sensor and signal receiver wires as shown in Fig. 10-13.
- Place the excess portions of the i-See sensor and signal receiver junction wires in the electric component box in the wire clip as shown in the diagram, and secure the wires together with the fastener. (Fig. 10-14)
- Make sure that the band securing the i-See sensor and signal receiver junction wires is positioned inside the connector box. (Fig. 10-15)
- If the vane motor connectors and signal receiver connector are connected incorrectly, the vanes will not move or communication with the remote controller will not be possible.

- A i-See sensor
- B Signal receiver
- C Fastener
- D Wire clip
- E "○" stamp : default i-See sensor position
- F "□" stamp : default signal receiver position

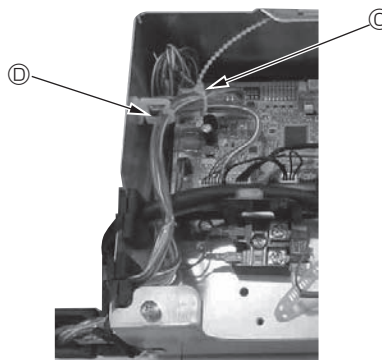


Fig. 10-14

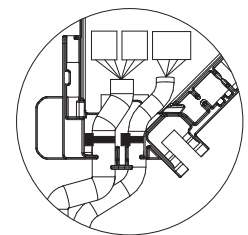


Fig. 10-15

10. Installing the grille

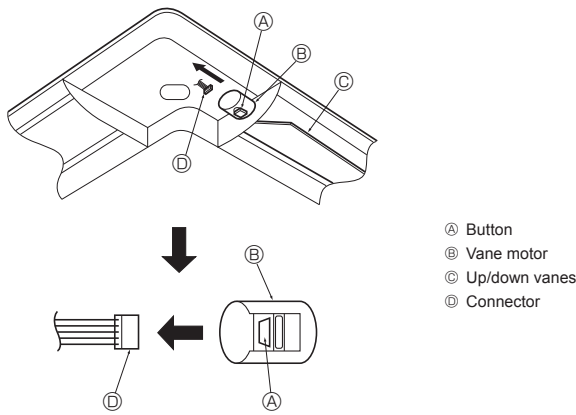


Fig. 10-16

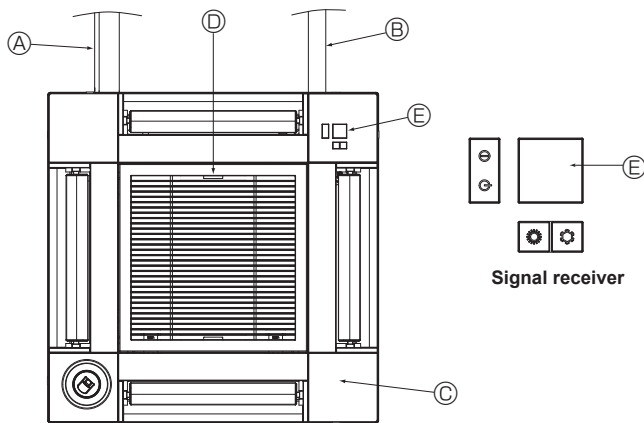


Fig. 10-17

10.4. Locking the up/down airflow direction (Fig. 10-16)

The vanes of the unit can be set and locked in on up or down orientation depending upon the environment of use.

- Set according to the preference of the customer.

The operation of the fixed up/down vanes and all automatic controls cannot be performed using the remote controller. In addition, the actual position of the vanes may differ from the position indicated on the remote controller.

- ① Turn off the main power switch.
Injuries and or an electrical shock may occur while the fan of the unit is rotating.
- ② Disconnect the connector for the vane motor of the vent that you want to lock.
(While pressing the button, remove the connector in the direction indicated by the arrow as shown in the diagram.) After removing the connector, insulate it with tape.

10.5. Installing the intake grille (Fig. 10-17)

- Perform the procedure that is described in "10.2. Preparing to attach the grille" in reverse order to install the intake grille and the corner panel.

- Ⓐ Refrigerant piping of the main unit
- Ⓑ Drain piping of the main unit
- Ⓒ Corner panel
- Ⓓ Position of the levers on the intake grille when sent from the factory.
* Although the clips can be installed in any of four positions.
- Ⓔ Receiver

10.6. Check

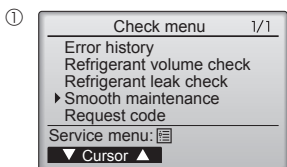
- Make sure that there is no gap between the unit and the grille, or between the grille and the surface of the ceiling. If there is any gap between the unit and the grille, or between the grille and the surface of the ceiling, it may cause dew to collect.
- Make sure that the wires have been securely connected.
- Check that all four vanes move. If two or four vanes do not move, refer to 10.3. and check the connections.
- For 3D i-See sensor corner panel, check the rotating movement. If the 3D i-See sensor does not rotate, review the procedure in "10.3. Installing the grille".

11. Easy maintenance function

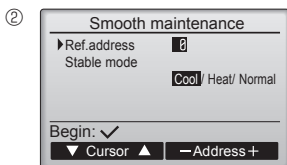
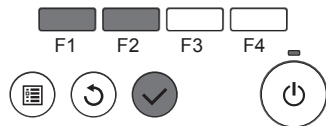
Maintenance data, such as the indoor/outdoor unit's heat exchanger temperature and compressor operation current can be displayed with "Smooth maintenance".

* This cannot be executed during test operation.

* Depending on the combination with the outdoor unit, this may not be supported by some models.

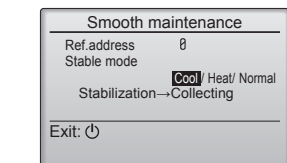


- Select "Service" from the Main menu, and press the [SELECT] button.
- Select "Check" with the [F1] or [F2] button, and press the [SELECT] button.
- Select "Smooth maintenance" with the [F1] or [F2] button, and press the [SELECT] button.

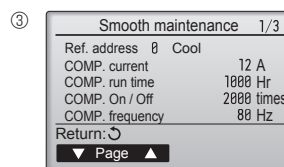


Select each item.

- Select the item to be changed with the [F1] or [F2] button.
 - Select the required setting with the [F3] or [F4] button.
- "Ref. address" setting "0" - "15"
"Stable mode" setting "Cool" / "Heat" / "Normal"

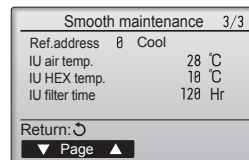
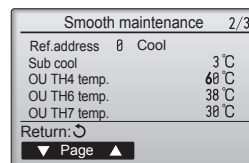


- Press the [SELECT] button, fixed operation will start.
- * "Stable mode" will take approx. 20 minutes.



The operation data will appear.

The Compressor-Accumulated operating (COMP. run) time is 10-hour unit, and the Compressor-Number of operation times (COMP. On/Off) is a 100-time unit (fractions discarded)



Navigating through the screens

- To go back to the Main menu.....[MENU] button
- To return to the previous screen [RETURN] button

Содержание

1. Меры предосторожности	222	7. Электромонтажные работы	229
2. Выбор места установки.....	223	8. Тестовый прогон	236
3. Диаграмма установки.....	224	9. Управление системой	238
4. Установка внутреннего блока	224	10. Установка решетки	238
5. Подготовка трубопровода охладителя	226	11. Функция простого обслуживания	241
6. Работы по установке дренажной трубы	228		





Примечание.

Фраза “Проводной пульт дистанционного управления” в данном руководстве по установке относится только к PAR-33MAA. Если вам нужна какая-либо информация о других пультах дистанционного управления, см. руководство по установке или руководство по первоначальной настройке, которые входят в комплект поставки.

1. Меры предосторожности

- ▶ До установки прибора убедитесь, что Вы прочли все “Меры предосторожности”.
- ▶ В разделе “Меры предосторожности” изложены очень важные сведения, касающиеся техники безопасности. Обязательно следуйте этим инструкциям.
- ▶ Пожалуйста, перед подключением данного оборудования к системе электропитания, сообщите об этом своему поставщику электропитания или получите его разрешение.

ЗНАЧЕНИЯ СИМВОЛОВ, ОТОБРАЖАЕМЫХ НА УСТРОЙСТВЕ

	ПРЕДУПРЕЖДЕНИЕ! (опасность возгорания)	Данный символ применяется только для хладагента R32. Тип хладагента указывается на бирке наружного устройства. Если тип хладагента — R32, то в данном устройстве используется огнеопасный хладагент. В случае утечки хладагента и его контакта с огнем или источником тепла образуется вредный газ и возникнет опасность возгорания.
		Внимательно прочтите РУКОВОДСТВО ПО ЭКСПЛУАТАЦИИ перед началом эксплуатации.
		Обслуживающий персонал обязан внимательно прочитать РУКОВОДСТВО ПО ЭКСПЛУАТАЦИИ и РУКОВОДСТВО ПО УСТАНОВКЕ перед началом работ.
		Дополнительную информацию можно найти в РУКОВОДСТВЕ ПО ЭКСПЛУАТАЦИИ, РУКОВОДСТВЕ ПО УСТАНОВКЕ и аналогичных документах.

Символика, используемая в тексте

⚠ Предупреждение:

Описывает меры предосторожности, которые следует выполнять, чтобы избежать травмы или гибели пользователя.

⚠ Осторожно:

Описывает меры предосторожности, которые следует выполнять, чтобы не повредить прибор.

⚠ Предупреждение:

- Внимательно прочтите текст на этикетках главного прибора.
- Для установки, перемещения и ремонта устройства обратитесь к дилеру или уполномоченному техническому специалисту.
- Запрещается самостоятельный ремонт или перемещение прибора.
- Не изменяйте устройство.
- Для установки и перемещения следуйте инструкциям, приведенным в Руководстве по установке, и используйте инструменты и трубные компоненты, специально предназначенные для использования с хладагентом, указанные в руководстве по установке наружного прибора.
- Прибор должен быть установлен согласно инструкциям, чтобы избежать риска повреждения от землетрясений, тайфунов или сильных порывов ветра. Неправильно установленный прибор может упасть и причинить повреждение или нанести травму.
- Прибор должен быть установлен на конструкции, способной выдерживать его вес.
- Устройство необходимо содержать в хорошо проветриваемом помещении, размеры которого соответствуют размерам помещения, указанным для эксплуатации.
- Если кондиционер установлен в небольшом или закрытом помещении, необходимо принять меры для предотвращения концентрации хладагента в помещении выше безопасных пределов в случае утечки хладагента. В случае утечки хладагента и превышении допустимой его концентрации из-за нехватки кислорода в помещении может произойти несчастный случай.
- Не допускайте размещения газоиспользующих устройств, электрообогревателей и других очагов возгорания (источников возгорания) возле мест осуществления установки, ремонта и других работ с кондиционером. При контакте хладагента с огнем образуется токсичный газ.
- Если во время работы прибора произошла утечка хладагента, проветрите помещение. При контакте хладагента с пламенем образуются ядовитые газы.
- Все электроработы должны выполняться квалифицированным техническим специалистом в соответствии с местными правилами и инструкциями, приведенными в данном Руководстве.
- Используйте для проводки указанные кабели. Убедитесь, что кабели надежно соединены, а оконечные соединения не натянуты. Никогда не соединяйте кабели внахлест (если иное не указано в прилагаемой документации). Несоблюдение этих инструкций может привести к перегреву или возгоранию.
- При установке, перемещении или обслуживании кондиционера для заправки трубопроводов хладагента используйте только тот хладагент, который указан на наружном устройстве. Не смешивайте его ни с каким другим хладагентом и не допускайте наличия воздуха в трубопроводах. Наличие воздуха в трубопроводах может вызывать скачки давления, в результате которых может произойти взрыв или другие повреждения.

Символы, указанные на иллюстрациях

⚡ : Указывает, что данная часть должна быть заземлена.

⊘ : Строго воспрещается.

После окончания установочных работ проинструктируйте пользователя относительно правил эксплуатации и обслуживания аппарата, а также ознакомьте с разделом “Меры предосторожности” в соответствии с информацией, приведенной в Руководстве по использованию аппарата, и выполните тестовый прогон аппарата для того, чтобы убедиться, что он работает нормально. Обязательно передайте пользователю на хранение экземпляры Руководства по установке и Руководства по эксплуатации. Эти Руководства должны быть переданы и последующим пользователям данного прибора.

- Использование любого хладагента, отличного от указанного для этой системы, вызовет механическое повреждение, сбой в работе системы, или выход устройства из строя. В наихудшем случае, это может послужить серьезной преградой к обеспечению безопасной работы этого изделия.
 - Установку необходимо выполнять в соответствии с действующими правилами электробезопасности.
 - Данный прибор не предназначен для использования людьми (включая детей) с ограниченными физическими, сенсорными или психическими возможностями. При недостатке опыта и знаний разрешается пользоваться данным прибором только под наблюдением лица, ответственного за безопасность, или после инструктажа по использованию прибора.
 - Следует следить за детьми, чтобы они не играли с устройством.
 - Крышка клеммной коробки должна быть надежно присоединена к прибору.
 - Поврежденный кабель из комплекта поставки должен быть заменен в целях безопасности производителем, сервисным агентом или лицами, обладающими необходимой квалификацией.
 - Используйте только те дополнительные принадлежности, на которые имеется разрешение от Mitsubishi Electric; для их установки обратитесь к дилеру или уполномоченному техническому специалисту.
 - По окончании установки убедитесь в отсутствии утечки хладагента. Если хладагент проникнет в помещение и произойдет контакт его с пламенем обогревателя или переносного пищевого нагревателя, образуются ядовитые газы.
 - Не используйте средства для ускорения размораживания или очистки, если они не рекомендованы производителем.
 - Устройство должно храниться в помещении без непрерывно работающих источников воспламенения (например, открытого пламени, работающего газового прибора или электрического обогревателя).
 - Не прокалывайте устройство и не сжигайте его.
 - Имейте в виду, что хладагенты могут не иметь запаха.
 - Не допускайте физического повреждения трубопроводов.
 - Установка трубопроводов должна быть сведена к минимуму.
 - Соблюдайте национальные нормативы по работе с газовым оборудованием.
 - Не допускайте засорения предусмотренных вентиляционных отверстий.
 - Не используйте легкоплавкий припой для пайки трубопроводов хладагента.
 - Во время пайки обязательно проветривайте помещение.
- Убедитесь, что вокруг отсутствуют опасные или воспламеняющиеся материалы. При работе в закрытом, небольшом или другом аналогичном помещении перед выполнением работ убедитесь в отсутствии утечки хладагента. При утечке и накоплении хладагента он может загореться, или может выделяться токсичный газ.

1. Меры предосторожности

1.1. Перед установкой (Окружающая среда)

⚠ Осторожно:

- Не используйте прибор в нестандартной окружающей среде. Установка кондиционера в местах, подверженных воздействию пара, летучих масел (включая машинное масло) или сернистых испарений, местах с повышенной концентрацией соли (таких, как берег моря), может привести к значительному снижению эффективности работы прибора или повреждению его внутренних частей.
- Не устанавливайте прибор в местах, где возможна утечка, возникновение, приток или накопление горючих газов. Если горючий газ будет накапливаться вокруг прибора, это может привести к возникновению пожара или взрыву.
- Не держите пищевые продукты, растения, домашних животных в клетках, произведения искусства и точные инструменты в прямом потоке воздуха от внутреннего прибора или слишком близко к нему, поскольку эти предметы могут быть повреждены перепадами температуры или каплюющей водой.
- При уровне влажности в помещении выше 80% или закупорке дренажной трубы из внутреннего прибора может капать вода. Не устанавливайте внутренний прибор в местах, где такие капли могут вызвать какое-либо повреждение.
- При монтаже прибора в больнице или центре связи примите во внимание шумовое и электронное воздействие. Работа таких устройств, как инверторы, бытовые приборы, высокочастотное медицинское оборудование и оборудование радиосвязи может вызвать сбои в работе кондиционера или его поломку. Кондиционер также может повлиять на работу медицинского оборудования и медицинское обслуживание, работу коммуникационного оборудования, вызывая искажение изображения на дисплее.

1.2. Перед установкой или перемещением

⚠ Осторожно:

- Будьте чрезвычайно осторожны при транспортировке приборов. Прибор должны переносить два или более человека, поскольку он весит не менее 20 кг. Не поднимайте прибор за упаковочные ленты. Используйте защитные перчатки, поскольку можно повредить руки ребристыми деталями или другими частями прибора.
- Утилизируйте упаковочные материалы надлежащим образом. Упаковочные материалы, такие, как гвозди и другие металлические или деревянные части, могут поранить или причинить другие травмы.
- Для предотвращения конденсации необходимо обеспечить теплоизоляцию трубы хладагента. Если труба хладагента не изолирована должным образом, при работе прибора будет образовываться конденсат.
- Оберните трубы теплоизоляционным материалом для предотвращения конденсации. Если дренажная труба установлена неправильно, это может вызвать протечку воды и испортить потолок, пол, мебель или другое имущество.
- Не мойте кондиционер водой. Это может привести к поражению электрическим током.
- Затягивайте все хомуты на муфтах в соответствии со спецификациями, используя ключ с регулируемым усилием. Слишком сильно затянутый хомут муфты по прошествии некоторого времени может сломаться.
- Если прибор работает длительное время и выше потолка присутствует воздух высокой температуры/высокой влажности (выше точки росы 26 °C), во внутреннем приборе или на потолочных материалах может возникать конденсация росы. При эксплуатации приборов в таких условиях, на всю поверхность прибора и потолочных материалов следует добавлять изоляционный материал (10–20 мм), чтобы предотвратить конденсацию росы.

1.3. Перед электрическими работами

⚠ Осторожно:

- Обязательно установите автоматические выключатели. В противном случае возможно поражение электрическим током.
- Используйте для электропроводки стандартные кабели, рассчитанные на соответствующую мощность. В противном случае может произойти короткое замыкание, перегрев или пожар.
- При монтаже кабелей питания не прикладывайте растягивающих усилий.
- Обязательно заземлите прибор. Отсутствие надлежащего заземления может привести к поражению электрическим током.
- Используйте автоматические выключатели (прерыватель утечки тока на землю, разъединитель (плавкий предохранитель +В) и предохранитель корпуса) с указанным предельным током. Если предельный ток автоматического выключателя больше, чем необходимо, может произойти поломка или пожар.

1.4. Перед тестовым прогоном

⚠ Осторожно:

- Включайте главный выключатель питания не позднее, чем за 12 часов до начала эксплуатации. Запуск прибора сразу после включения выключателя питания может серьезно повредить внутренние части.
- Перед началом эксплуатации проверьте, что все пульты, щитки и другие защитные части правильно установлены. Вращающиеся, нагретые или находящиеся под напряжением части могут нанести травмы.
- Не включайте кондиционер без установленного воздушного фильтра. Если воздушный фильтр не установлен, в приборе может накопиться пыль, что может привести к его поломке.
- Не прикасайтесь ни к каким выключателям влажными руками. Это может привести к поражению электрическим током.
- Не прикасайтесь к трубам с хладагентом голыми руками во время работы прибора.
- После остановки прибора обязательно подождите по крайней мере пять минут перед выключением главного выключателя питания. В противном случае возможна протечка воды или поломка прибора.

2. Выбор места установки

2.1. Внутренний блок

- Где нет преград на пути движения воздушного потока.
- Где прохладный воздух распространяется по всем уголкам помещения.
- Где прибор не подвержен воздействию прямых солнечных лучей.
- На расстоянии по меньшей мере 1 м от телевизора и радиоприемника (во избежание помех изображения или создания дополнительного шума).
- Как можно дальше от люминесцентных ламп и ламп накаливания (с тем, чтобы можно было использовать пульт дистанционного управления для нормальной работы с прибором).
- Где можно легко снимать и устанавливать на место воздушный фильтр.

⚠ Предупреждение!

Устанавливайте внутренний прибор на потолок, достаточно прочный, чтобы выдержать вес прибора.

2.2. Установка беспроводного пульта дистанционного управления (Для SLP-2FAL *)

- Место крепления
 - Где им легко пользоваться, и где его хорошо видно.
 - В недоступном для детей месте.
- Крепление

В помещениях, где используются люминесцентные лампы инверторного типа, сигналы с беспроводного пульта дистанционного управления могут не приниматься прибором.

Выберите место на высоте около 1,2 м от уровня пола и убедитесь в том, что с этой позиции сигналы с пульта дистанционного управления безошибочно принимаются внутренним прибором (при приеме сигнала слышен одиночный или двукратный тональный гудок). Затем прикрепите держатель пульта дистанционного управления к колонне или стене и установите в него беспроводной пульт дистанционного управления.

3. Диаграмма установки

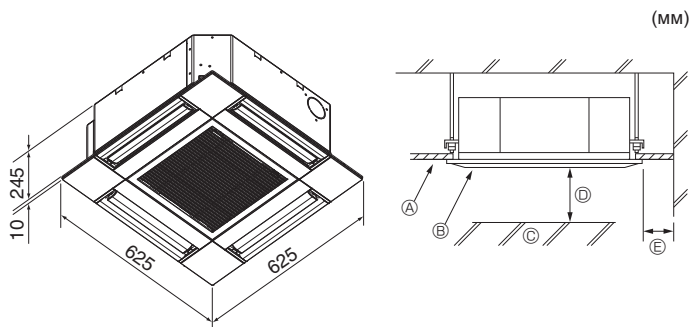


Fig. 3-1

3.1. Внутренний блок (Fig. 3-1)

- А Потолок
- В Решетка
- С Препятствие
- Д Мин. 1000 мм
- Е Мин. 500 мм (Весь периметр)

При необходимости обеспечить пространство для технического обслуживания в Е, оставьте не менее 700 мм.

⚠ Предупреждение!

Устанавливайте внутренний прибор на потолок, достаточно прочный, чтобы выдержать вес прибора.

3.2. Наружный прибор

Обратитесь к руководству по установке наружного прибора.

4. Установка внутреннего блока

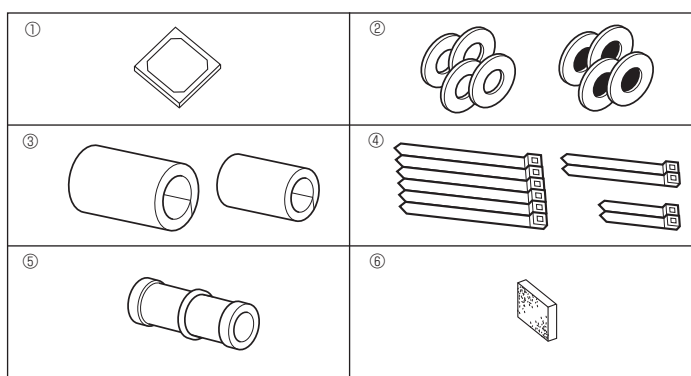


Fig. 4-1

4.1. Проверьте дополнительные принадлежности внутреннего блока (Fig. 4-1)

Внутренний блок поставляется со следующими дополнительными принадлежностями.

	Наименование дополнительного компонента	Количество
①	Монтажный разметочный инструмент	1
②	Шайбы (с изоляцией) Шайбы (без изоляции)	4 4
③	Покрывте трубы (для соединения трубопровода хладагента) Небольшой диаметр (для жидкости) Большой диаметр (для газа)	1 1
④	Лента (большая) Лента (средняя) Лента (маленькая)	6 2 2
⑤	Дренажное гнездо	1
⑥	Изоляция	1

4.2. Местоположения отверстий в потолке и подвесного болта (Fig. 4-2)

⚠ Осторожно!

Установите внутренний блок на высоте минимум 2,5 м над уровнем пола или поверхности.

Общий доступ к приборам ограничен.

• С помощью монтажного шаблона и лекала для установки (поставляется в качестве дополнительной принадлежности вместе с решеткой) сделайте отверстие в потолке таким образом, чтобы можно было установить основной блок, как показано на схеме. (Показан метод использования монтажного шаблона и лекала.)

* Перед использованием проверьте размеры монтажного шаблона и лекала, поскольку они могут меняться из-за колебаний температуры и влажности.

* Размеры отверстия в потолке можно регулировать в пределах диапазона, указанного на схеме; расположите основной блок напротив отверстия в потолке, убедившись, что соответствующие противоположные стороны на всех сторонах зазора между ними одинаковы.

• Используйте подвесные болты M10 (3/8 дюйма).

* Подвесные болты необходимо закупать по месту эксплуатации.

• Надежно установите, убедившись, что между потолочной панелью и решеткой, а также между основным блоком и решеткой нет зазоров.

- А Наружная сторона основного блока
- Б Шаг болта
- В Отверстие в потолке
- Г Наружная сторона решетки
- Д Решетка
- Е Потолок
- Ж Мин. 500 мм (весь периметр)
Если необходимо обеспечить пространство для технического обслуживания в Г, оставьте не менее 700 мм.
- З Пространство для технического обслуживания
- И Впуск свежего воздуха
- К Угол
- Л Коробка электрических компонентов

* Оставьте пространство для технического обслуживания в конце коробки электрических компонентов.

*1 При установке в существующее место установки блока на потолке или применении дополнительной теплоизоляции обеспечьте минимальное пространство — 25 мм.

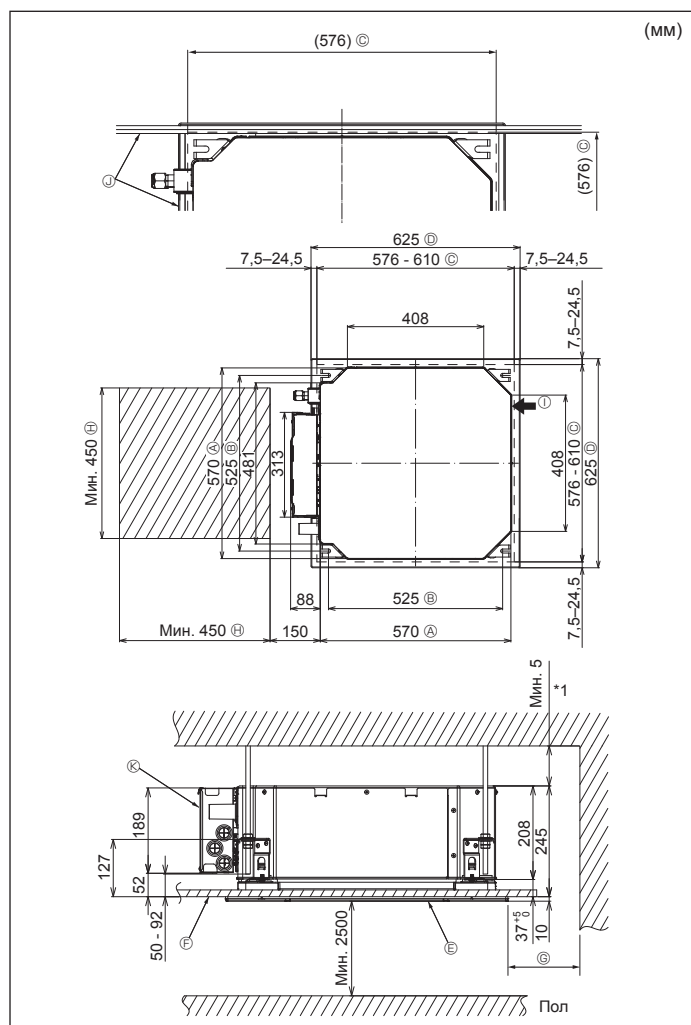


Fig. 4-2

4. Установка внутреннего блока

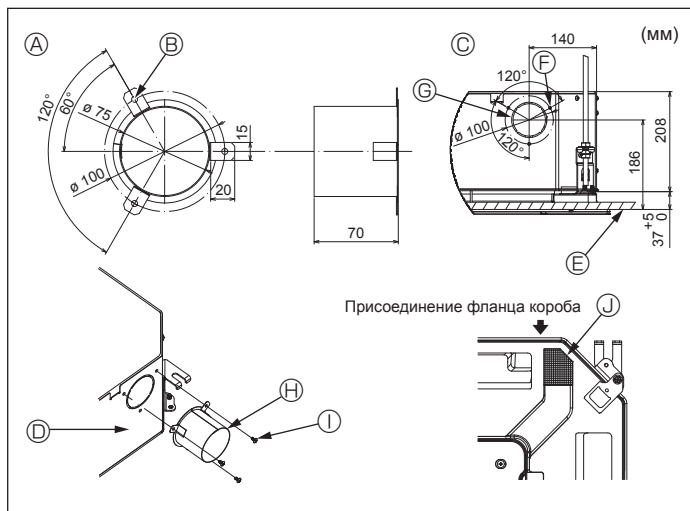


Fig. 4-3

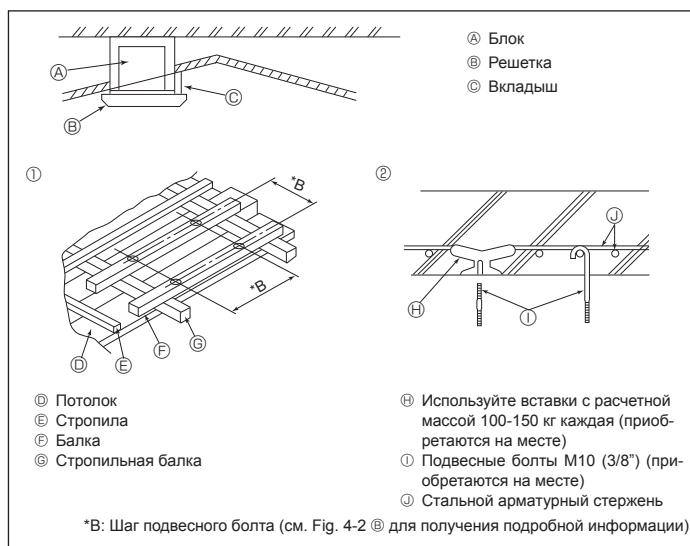


Fig. 4-4

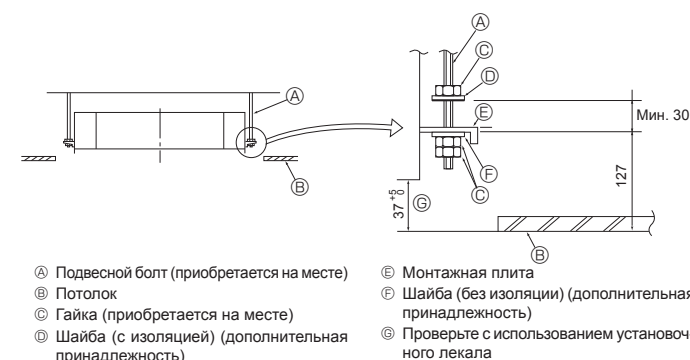


Fig. 4-5

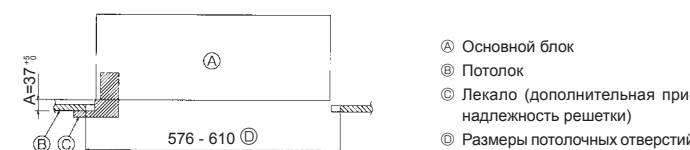


Fig. 4-6

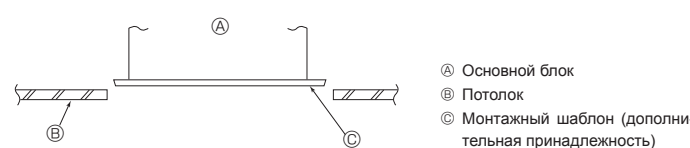


Fig. 4-7

4.3. Установка короба (в случае использования впуска свежего воздуха) (Fig. 4-3)

⚠ Осторожно!
Соединение канального вентилятора и кондиционера. Если используется канальный вентилятор, убедитесь, что при заборе наружного воздуха он соединен с кондиционером. Запрещается использовать только вентилятор. Такое использование может привести к образованию капель росы.

Создание фланца короба (подготавливается на месте)
• Рекомендуется использовать форму фланца короба, как показано слева.
Установка фланца короба
• Вырежьте отверстие. Запрещается пробивать отверстие.
• Установите фланец короба в вырезанное отверстие внутреннего блока с помощью трех приобретенных на месте самонарезающих винтов 4 × 10.
Установка короба (подготавливается на месте)
• Подготовьте короб, внутренний диаметр которого помещается в наружный диаметр фланца короба.
• Если выше потолка наблюдается среда с высокой температурой и высокой влажностью, заверните короб в теплоизоляцию во избежание образования капель росы на стене.

- Снимите изоляцию дренажного поддона.**
- Ⓐ Рекомендованная форма фланца короба (Толщина: 0,8 или более)
 - Ⓑ 3 отверстия с $\varnothing 5$
 - Ⓒ Подробный чертеж впуска свежего воздуха
 - Ⓓ Внутренний блок
 - Ⓔ Поверхность потолка
 - Ⓕ 3 отверстия для самонарезающих винтов
 - Ⓖ Вырезное отверстие $\varnothing 73,4$
 - Ⓗ Фланец короба (подготавливается на месте)
 - Ⓘ Самонарезающий винт 4 × 10 (подготавливается на месте)
 - ⓫ Изоляция

4.4. Подвесная конструкция (местоположение подвесной прочной структуры) (Fig. 4-4)

• Потолочные работы различаются в зависимости от конструкции здания. Более подробную информацию можно получить у строителей и оформителей интерьера.

- (1) Порядок снятия потолка. Потолок должен быть абсолютно горизонтальным, а основание потолка (несущая конструкция: деревянные рейки и их опоры) должно быть усилено, чтобы защитить потолок от вибрации.
- (2) Вырежьте и снимите основание потолка.
- (3) Укрепите края основания потолка в местах вырезов и вставьте основание потолка для укрепления краев потолочной плиты.
- (4) При установке блока на скошенный потолок установите вкладыш между потолком и решеткой таким образом, чтобы блок можно было установить в горизонтальном положении.

① Деревянные конструкции
• Используйте анкерные балки (одноэтажные здания) или балки первого этажа (двухэтажные здания) в качестве арматурных деталей.
• Деревянные балки для подвешивания кондиционера должны быть прочными, а длина их краев должна составлять не менее 6 см, если балки находятся на расстоянии не более 90 см друг от друга, и не менее 9 см, если балки находятся на расстоянии до 180 см. Размер подвесных болтов должен составлять $\varnothing 10$ (3/8"). (Болты не входят в комплект поставки блока).

② Железобетонные конструкции
Закрепите подвесные болты с использованием указанного метода или воспользуйтесь стальными или деревянными подвесными кронштейнами и т.п. для монтажа подвесных болтов.

4.5. Процедура подвешивания блока (Fig. 4-5)

Подвесьте основной блок, как показано на схеме.

1. Заранее установите компоненты на подвесные болты в порядке: шайбы (с изоляцией), шайбы (без изоляции) и гайки (двойные).
 - Установите шайбу с подкладкой таким образом, чтобы изоляция была лицевой стороной вниз.
 - В случае использования верхних шайб для подвешивания основного блока нижние шайбы (с изоляцией) и гайки (двойные) устанавливаются позже.
2. Поднимите блок до нужной высоты подвесных болтов, чтобы вставить монтажную плиту между шайбами, затем надежно закрепите.
3. Если основной блок нельзя выровнять относительно монтажного отверстия на потолке, его можно отрегулировать с помощью слота на монтажной плите. (Fig. 4-6)
 - Убедитесь, что шаг А выполнен в пределах 37–42 мм. Несоблюдение указанного диапазона может стать причиной повреждений.

4.6. Подтверждение положения основного блока и затягивание подвесных болтов (Fig. 4-7)

• С помощью лекала, прикрепленного к решетке, убедитесь, что нижняя часть основного блока должным образом совпадает с отверстиями в потолке. Проверьте это, иначе может формироваться конденсат и капать из-за утечки воздуха и т.д.

• Убедитесь, что основной блок выровнен по горизонтали с помощью уровня или виниловой трубки с водой.

• После проверки положения основного блока затяните гайки подвесных болтов и надежно закрепите основной блок.

• Монтажный шаблон может использоваться как защитная пластина для предотвращения проникновения пыли в основной блок при снятых на определенное время решетках или когда потолочные материалы необходимо покрасить после завершения установки блока.

* Более подробная информация приведена в инструкции по установке монтажного шаблона.

5. Подготовка трубопровода охладителя

5.1. Меры предосторожности

Для устройств, в которых используется хладагент R32/R410A

- Используйте алкилбензолное масло (небольшое количество) в качестве хладагента для покрытия соединительных муфт.
- Для соединения медных или медносплавных бесшовных труб, предназначенных для хладагента, используйте медный фосфор С1220. Используйте трубы для хладагента соответствующей толщины для каждого случая; значения толщины приведены в таблице ниже. Удостоверьтесь, что изнутри трубы чисты и не содержат никаких вредных загрязнителей, таких, как соединения серы, окислители, мелкий мусор или пыль.

⚠ Предупреждение:

При установке, перемещении или обслуживании кондиционера для заправки трубопроводов хладагента используйте только тот хладагент, который указан на наружном устройстве. Не смешивайте его ни с каким другим хладагентом и не допускайте наличия воздуха в трубопроводах. Наличие воздуха в трубопроводах может вызывать скачки давления, в результате которых может произойти взрыв или другие повреждения.

Использование любого хладагента, отличного от указанного для этой системы, вызовет механическое повреждение, сбой в работе системы, или выход устройства из строя. В наихудшем случае, это может послужить серьезной преградой к обеспечению безопасной работы этого изделия.

5.2. Трубопровод охладителя (Fig. 5-1)

Подготовка трубопровода

- Трубы трубопровода охладителя длиной 3, 5, 7, 10 и 15 м доступны как дополнительные устройства.

(1) В таблице ниже представлены технические характеристики имеющихся в продаже труб.

Модель	Труба	Наружный диаметр		Мин. толщина стенки	Толщина изоляции	Изоляционный материал
		мм	дюймы			
SLZ-M15	Для жидкости	6,35	1/4	0,8 мм	8 мм	Термоустойчивый пенопласт с удельной массой 0,045
SLZ-M25	Для газа	9,52	3/8	0,8 мм	8 мм	
SLZ-M50	Для жидкости	6,35	1/4	0,8 мм	8 мм	
	Для газа	12,7	1/2	0,8 мм	8 мм	
SLZ-M60	Для жидкости	6,35	1/4	0,8 мм	8 мм	
	Для газа	15,88	5/8	1,0 мм	8 мм	

(2) Обеспечьте изоляцию 2 труб для охладителя для предотвращения образования конденсации.

(3) Радиус изгиба трубы для хладагента должен быть не менее 100 мм.

⚠ Осторожно!

Используйте надлежащую изоляцию указанной толщины. Изоляция чрезмерной толщины занимает все место позади внутреннего прибора, изоляция меньшей толщины является причиной капания влаги.

5.3. Развальцовка

- Основной причиной утечки газа являются дефекты развальцовки. Правильно выполняйте развальцовку в нижеописанной процедуре.

5.3.1. Резка труб (Fig. 5-2)

- Правильно режьте медную трубу с помощью трубореза.

5.3.2. Удаление заусениц (Fig. 5-3)

- Полностью удалите заусеницы с поперечного сечения трубы после ее разрезания.
- При удалении заусениц наклоните медную трубу вниз, чтобы удаленные заусеницы не попали внутрь трубы.

5.3.3. Насадка гаек (Fig. 5-4)

- Снимите конусные гайки, прикрепленные к внутреннему и наружному приборам, затем насадите их на трубу после полного удаления заусениц. (после развальцовки насадка гаек невозможна)

5.3.4. Развальцовка (Fig. 5-5)

- Выполните развальцовку с помощью развальцовочного инструмента, как показано ниже.

Диаметр трубы (мм)	Размер	
	A (мм)	
	При использовании инструмента для R32/R410A	
	Тип муфты	
6,35	0-0,5	9,1
9,52	0-0,5	13,2
12,7	0-0,5	16,6
15,88	0-0,5	19,7

Твердо зажмите медную трубу в обжимке, соблюдая размер, указанный в таблице выше

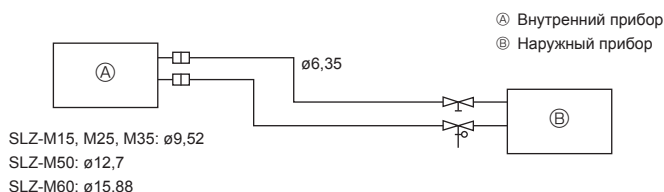


Fig. 5-1

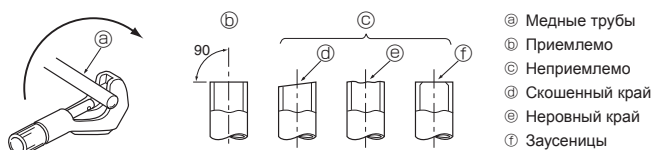


Fig. 5-2

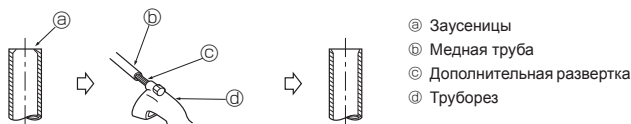


Fig. 5-3

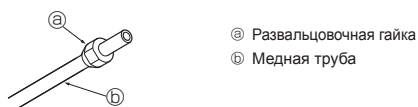


Fig. 5-4

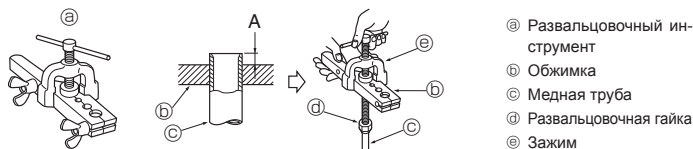


Fig. 5-5

5. Подготовка трубопровода охладителя

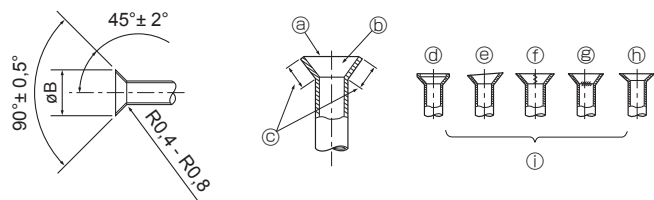


Fig. 5-6

5.3.5. Проверка (Fig. 5-6)

- Сравните результаты развальцовки с рисунком справа.
- При обнаружении дефекта развальцовки обрежьте развальцованный участок и выполните развальцовку снова.

- Ⓐ Ровный край по всему диаметру
- Ⓑ Блестящая внутренняя поверхность без царапин
- Ⓒ Одинаковая длина по всему диаметру
- Ⓓ Слишком
- Ⓔ Скошенный край
- Ⓣ Царапина на развальцовочной плоскости
- Ⓤ Трещина
- Ⓥ Неровный край
- Ⓦ Примеры неправильного состояния трубы

5.4. Расположение трубопроводов охладителя и дренажа (Fig. 5-7)

- Ⓐ Дренажная труба
- Ⓑ Потолок
- Ⓒ Решетка
- Ⓓ Трубопровод хладагента (жидкость)
- Ⓔ Трубопровод хладагента (газ)
- Ⓣ Основной блок

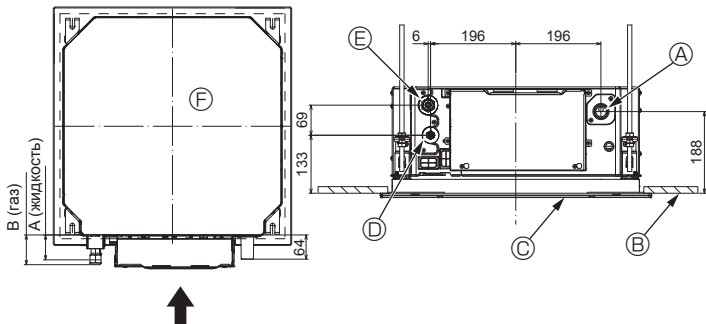


Fig. 5-7

Модель	Размер	
	A (жидкость)	B (газ)
SLZ-M15		
SLZ-M25	63 мм	72 мм
SLZ-M35		
SLZ-M50	63 мм	78 мм
SLZ-M60		

5.5. Соединение труб (Fig. 5-8)

Внутренний блок

1) При использовании имеющихся в продаже медных труб:

- Нанесите тонкий слой охлаждающего масла на трубу и выполните соединение посадочной поверхности до затяжки конусной гайки.
- Используйте два ключа для затяжки трубных соединений.
- Выполните продувку трубопровода охладителя с помощью собственного охладителя (запрещается производить продувку с помощью охладителя, которым заправлен наружный прибор).
- После выполнения соединений используйте детектор утечки газа или мыльную воду для проверки на предмет утечки газа.
- Используйте раструбную гайку, установленную на данный внутренний прибор.
- При повторном подсоединении труб хладагента изготовьте заново раструбную часть трубы.
- Используйте поставляемую изоляцию трубы охладителя для изоляции соединений внутреннего блока. Выполняйте изоляцию надлежащим образом, как показано ниже.

2) Теплоизоляция труб охладителя:

- 1) Оберните покрытие трубы большого размера вокруг трубы для газа, убедившись, что конец покрытия трубы касается боковой части прибора.
 - 2) Оберните покрытие трубы меньшего размера вокруг трубы для жидкости, убедившись, что конец покрытия трубы касается боковой части прибора.
 - 3) Закрепите оба конца покрытия каждой трубы с помощью прилагаемых лент. (Устанавливайте ленты на расстоянии 20 мм от концов покрытых труб.)
- Убедитесь, что во время установки прорези в покрытии трубы расположены лицевой стороной вверх.

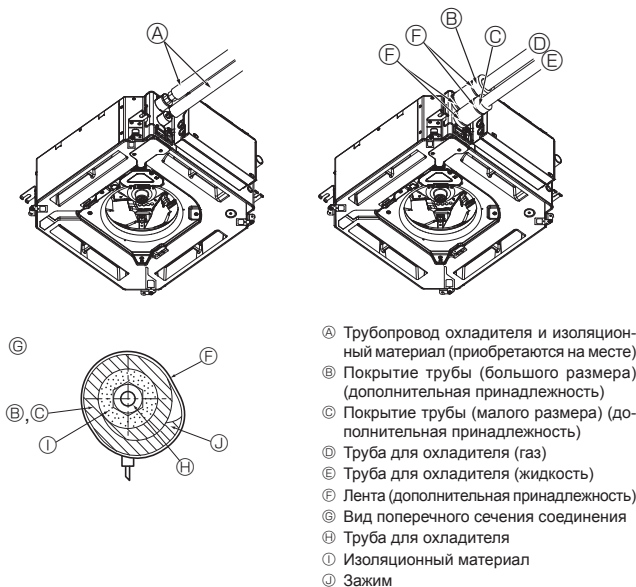


Fig. 5-8

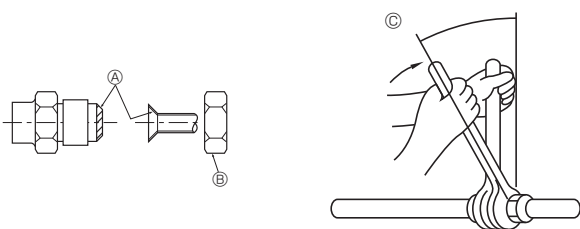


Fig. 5-9

Убедитесь, что стопорный клапан наружного прибора полностью закрыт (прибор поставляется с закрытым клапаном). После завершения исполнения всех трубных соединений между наружным и внутренним приборами выполните вакуумную продувку для удаления воздуха из системы через сервисный порт стопорного клапана наружного прибора.

После завершения вышеописанных процедур полностью откройте стопорные клапаны наружного прибора. Данное действие завершает соединение контура охладителя между внутренним и наружным приборами. Указания по использованию стопорного клапана приведены на наружном приборе.

Затяжка конусной гайки

- Нанесите тонкий слой охлаждающего масла на посадочную поверхность трубы.
- При подсоединении сначала выровняйте центр, затем затяните развальцовочную гайку на первые 3-4 оборота.
- Используя таблицу с крутящим моментом ниже в качестве руководства при затягивании муфтового соединения со стороны внутреннего прибора, затяните гайку с помощью двух гаечных ключей. Чрезмерная затяжка может повредить развальцованный участок.

- Ⓐ Нанесите машинное масло охлаждения на всю поверхность области присоединения муфты.
- Ⓑ Используйте надлежащие гайки раструбного стыка, подходящие к размеру трубы наружного прибора.
- Ⓒ Момент затяжки гайки раструбного стыка

Наружный диаметр медной трубы (мм)	Наружный диаметр конусной гайки (мм)	Крутящий момент затяжки (Н·м)
ø6,35	17	14-18
ø9,52	22	34-42
ø12,7	26	49-61
ø15,88	29	68-82

6. Работы по установке дренажной трубы

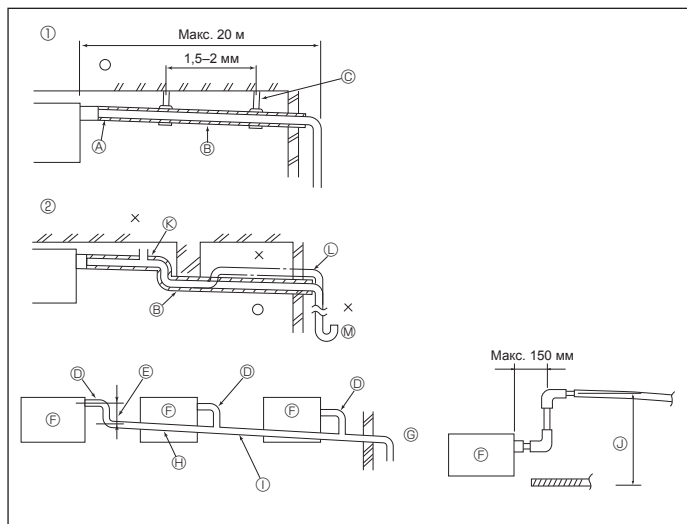


Fig. 6-1

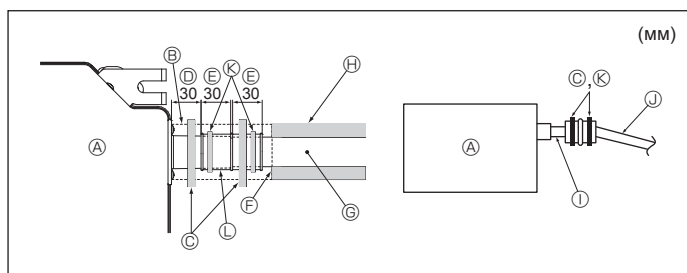


Fig. 6-2

6.1. Работы по установке дренажной трубы (Fig. 6-1)

- Для дренажного трубопровода используйте трубы VP25 (НД \varnothing 32 труба ПВХ) и обеспечьте наклон вниз 1/100 или больше.
- Убедитесь, что трубные соединения выполнены поливиниловым клеем.
- Придерживайтесь схемы подключения труб.
- Для изменения направления отвода используйте сливной шланг из комплекта поставки.

- | | |
|---------------------------------|------------------------------|
| ① Правильное подключение труб | ⓐ Металлические крепления |
| ② Неправильное подключение труб | ⓑ Клапан для выпуска воздуха |
| Ⓐ Изоляция (9 мм или более) | Ⓒ Выступающий изгиб |
| Ⓑ Наклон вниз (1/100 или более) | ⓓ Ловушка для запахов |

Сгруппированные трубопроводы

- Ⓓ НД \varnothing 32 ТРУБА ПВХ
- Ⓔ Сделайте максимально большим
- Ⓕ Внутренний блок
- Ⓖ Для сгруппированных трубопроводов обеспечьте большой диаметр трубопровода.
- Ⓗ Наклон вниз (1/100 или более)
- Ⓚ НД \varnothing 38 ТРУБА ПВХ для сгруппированных трубопроводов. (изоляция 9 мм или более)
- Ⓛ До 850 мм

1. Подсоедините дренажное гнездо (в комплекте поставки) к дренажному отверстию. (Fig. 6-2)
(Прикрепите трубку с помощью клея ПВХ, а затем зафиксируйте ее лентой).
2. Установите приобретенную на месте дренажную трубу (труба ПВХ, НД \varnothing 32).
(Прикрепите трубу с помощью клея ПВХ, а затем зафиксируйте ее лентой).
3. Заизолируйте трубку и трубу. (труба ПВХ, НД \varnothing 32 и гнездо)
4. Проверьте плавность дренирования.
5. Изолируйте дренажное отверстие изоляционным материалом, а затем закрепите материал лентой. (Изоляционный материал и лента поставляются с блоком)

- | | |
|-------------------------------|--|
| Ⓐ Основной блок | ⓐ Дренажная труба (НД \varnothing 32 ТРУБА ПВХ) |
| Ⓑ Изоляционный материал | ⓑ Изолирующий материал (приобретается на месте) |
| Ⓒ Лента (большая) | Ⓒ Прозрачная труба ПВХ |
| Ⓓ Дренажный порт (прозрачный) | Ⓓ НД \varnothing 32 ТРУБА ПВХ (наклон 1/100 или более) |
| Ⓔ Границы вставки | Ⓚ Лента (средняя) |
| Ⓕ Стыковка | Ⓛ Дренажное гнездо |

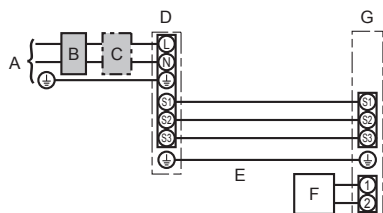
7. Электромонтажные работы

7.1. Питание на внутренний прибор подается от наружного прибора

Имеются следующие шаблоны подключения.

Конструкция блока питания внешнего прибора зависит от модели.

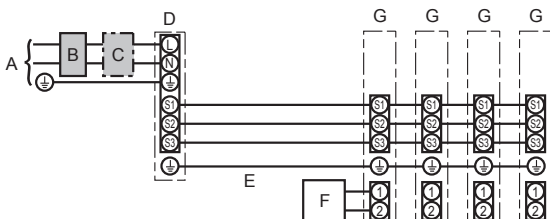
Система 1:1



- A Источник электропитания наружного прибора
- B Прерыватель утечки на землю
- C Прерыватель проводной цепи или изолирующий выключатель
- D Наружный прибор
- E Соединительные провода внутреннего прибора/наружного прибора
- F Пульт дистанционного управления
- G Внутренний прибор

* Прикрепите бирку А, прилагаемую к руководствам, около каждой схемы подключения для внутреннего и наружного приборов.

Одновременная двойная/тройная/четверная система



- A Источник электропитания наружного прибора
- B Прерыватель утечки на землю
- C Прерыватель проводной цепи или изолирующий выключатель
- D Наружный прибор
- E Соединительные провода внутреннего прибора/наружного прибора
- F Пульт дистанционного управления
- G Внутренний прибор

* Прикрепите бирку А, прилагаемую к руководствам, около каждой схемы подключения для внутреннего и наружного приборов.

Примечание.

Невозможно использовать некоторые приборы в одновременной двойной/тройной/четверной системе. Для получения более подробной информации обратитесь к руководству по установке наружного прибора.

Модель внутреннего прибора		SLZ-M	
Электропроводка Провод (№ × радиус (мм²))	Внутренний прибор-Наружный прибор	*1	3 × 1,5 (полярный)
	Заземление внутреннего/наружного прибора	*1	1 × Мин. 1,5
	Заземление внутреннего прибора		1 × Мин. 1,5
	Пульт дистанционного управления - Внутренний прибор	*2	2 × 0,3 (неполярный)
Мощность цепи	Внутренний прибор (Обогреватель) L-N	*3	—
	Внутренний прибор-Наружный прибор S1-S2	*3	230 Вольт перем. тока
	Внутренний прибор-Наружный прибор S2-S3	*3	24 Вольт пост. тока
	Пульт дистанционного управления - Внутренний прибор	*3	12 Вольт пост. тока

*1. Макс. 45 м

Если используется 2,5 мм², макс. 50 м

Если используется 2,5 мм² и отдельный S3, макс. 80 м

*2. Макс. 500 м

(При использовании 2 пультов дистанционного управления длина проводки их кабелей не должна превышать 200 м.)

*3. Величины НЕ всегда измерены относительно земли.

Разница потенциалов выводов S3 и S2 составляет 24 В постоянного тока. Между выводами S3 и S1 нет электрической изоляции с помощью трансформатора или другого устройства.

Примечания: 1. Диаметр проводов должен соответствовать применимым местным и национальным нормам.

2. Силовые кабели и кабели соединения Внутреннего/Наружного прибора не должны быть легче экранированного гибкого провода из полихлоропрена (модель 60245 IEC 57).

3. Длина устанавливаемого кабеля заземления должна превышать длину других кабелей.

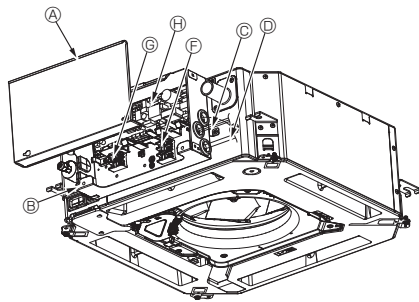
4. Полярности соединительных проводов внутреннего и наружного приборов. Убедитесь в соответствии номера клемм (S1, S2, S3) проводам.

5. Кабель пульта дистанционного управления должен проводиться на определенном расстоянии (не менее 5 см) от кабеля источника питания во избежание электрических помех, создаваемых кабелем источника питания.

⚠ Предупреждение:

Никогда не подсоединяйте внахлест силовой кабель или соединительный кабель внешнего питания. Это может привести к задымлению, возгоранию или неисправности.

7. Электромонтажные работы



- А Крышка коробки электрических компонентов
- Б Коробка электрических компонентов
- В Ввод кабеля для соединения внутреннего и наружного приборов
- Г Ввод кабеля проводного пульта дистанционного управления
- Д Проводной зажим
- Е Клемма для подключения кабеля соединения внутреннего и наружного приборов
- Ж Клемма для подключения кабеля проводного пульта дистанционного управления
- З Внутренний контроллер
- И Кабель заземления
- К Кабельная стяжка

Fig. 7-1

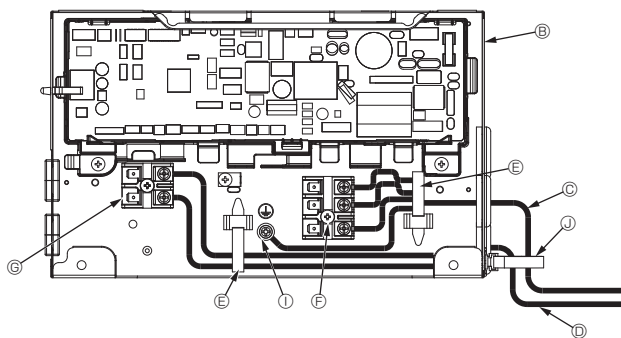


Fig. 7-2

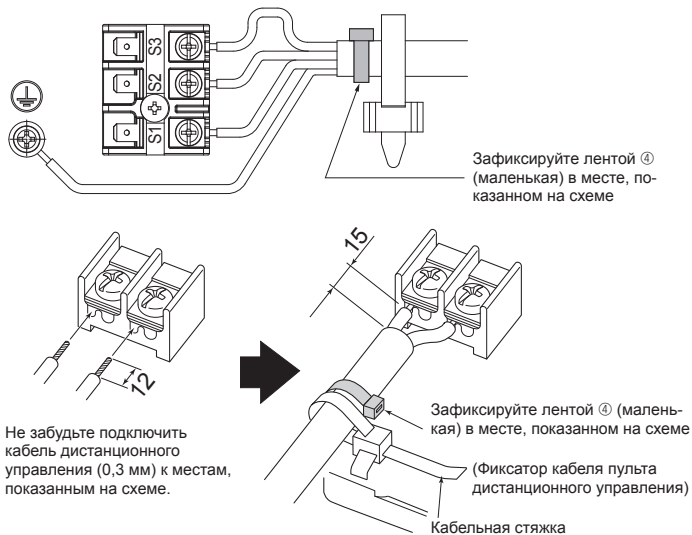
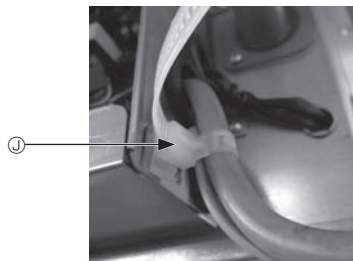


Fig. 7-3

7.2. Внутренний блок (Fig. 7-1) (Fig. 7-2) (Fig. 7-3)

Рабочая процедура

1. Ослабьте 2 винта, крепящих крышку коробки электрических компонентов, а затем сдвиньте и снимите ее.
2. Протяните провода вдоль трасс прокладки кабеля и через каналы для проводов в коробку электрических компонентов. (Кабели электропитания и соединения наружного/внутреннего блоков приобретаются на месте.)
3. Надежно подключите кабели электропитания и соединения наружного/внутреннего приборов к клеммным колодкам.
4. Закрепите провода с помощью кабельных стяжек внутри коробки электрических компонентов. Закрепите провода с помощью кабельных стяжек как амортизирующих компонентов, чтобы натяжение провода не передавалось в секторы соединений клеммной колодки.
5. Установите крышку коробки электрических компонентов. Убедитесь, что вы не зажали провода.
6. Закрепите провода с помощью кабельных стяжек снаружи коробки электрических компонентов.

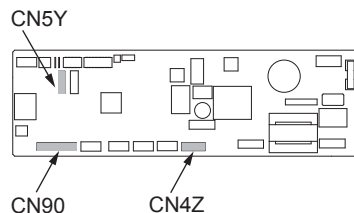
⚠ Предупреждение!

- Вставьте крючок крышки электрического компонента в изогнутое крепление коробки электрических компонентов и надежно прикрепите крышку. Неправильное подсоединение может привести к возникновению пожара и поражению электрическим током из-за попадания пыли, воды и т. д.
- Используйте кабели указанных параметров для надежного соединения внутреннего и наружного блоков. Надежно закрепите кабели в клеммной колодке, чтобы натяжение провода не передавалось в секторы соединений клеммной колодки. Незавершенное соединение или ненадежная фиксация кабеля может привести к пожару.
- Закрепите все соединительные провода наружного/внутреннего блока с помощью кабельной стяжки сбоку коробки электрических компонентов.

⚠ Осторожно!

- Перед установкой решетки убедитесь, что соединительный провод подключен.
- Если решетка оснащена приемником сигнала или инфракрасным датчиком температуры i-See, то комплект решетки включает в себя соединительный провод.

Приемник сигнала: CN90
 3D-датчик i-See: CN5Y
 Мотор 3D-датчика i-See: CN4Z



7. Электромонтажные работы

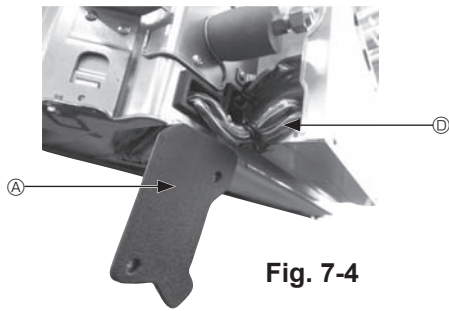


Fig. 7-4

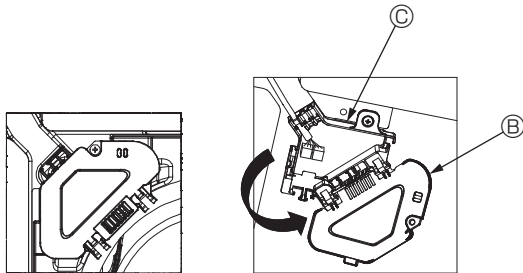


Fig. 7-5

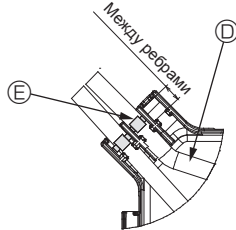


Fig. 7-6

7.2.1. Установка датчика i-See и приемника сигнала

Перед установкой решетки подсоедините провода соединения, входящие в комплект поставки, к решетке и поместите их в коннекторную коробку.

- ① Снимите два винта, крепящих крышку проводов основного блока, а затем откройте крышку.
- ② Проложите провода датчика i-See и приемника сигнала в каналы для проводов в коробке электрических компонентов, как показано на схеме, и вокруг втулки на стороне основного блока. (Fig. 7-4)
При прокладке провода откройте зажим, фиксирующий соединительный провод решетки, и затем закрепите соединительный провод решетки, а также провода датчика i-See и приемника сигнала с помощью зажима.
- ③ Снимите один винт, которым крепится крышка коннекторной коробки, а затем откройте крышку. (Fig. 7-5)
- ④ Поместите переходное соединительное устройство проводных линий в коннекторную коробку.
- ⑤ Установите крышку проводов и крышку коннекторной коробки.

⚠ Осторожно!

При установке крышек убедитесь, что вы не зажали провода.

Поместите ленту, фиксирующую соединительные провода, между ребрами коннекторной коробки, как показано на схеме. (Fig. 7-6)

- Ⓐ Крышка проводов
- Ⓑ Крышка коннекторной коробки
- Ⓒ Коннекторная коробка
- Ⓓ Питающий провод датчика i-See или приемника сигнала (дополнительная принадлежность решетки)
- Ⓔ Лента

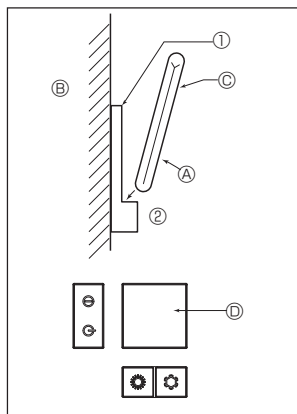


Fig. 7-7

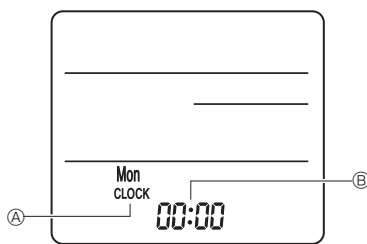


Fig. 7-8

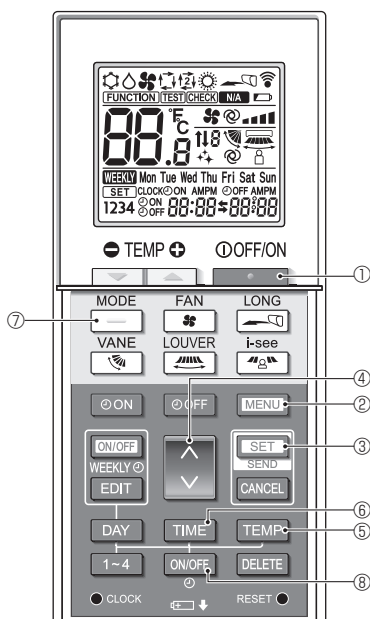


Fig. 7-9

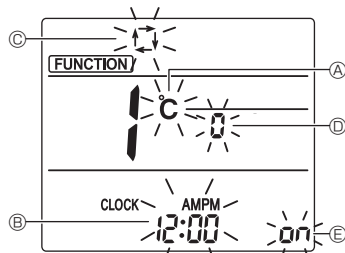


Fig. 7-10

7.3. Пульт дистанционного управления

7.3.1. Проводной пульт дистанционного управления

1) Процедура установки

Подробное описание см. в руководстве по установке, прилагаемом к пульту дистанционного управления.

2) Выбор функций пульта дистанционного управления

Если подключены два пульта дистанционного управления, настройте один как Main (Главный), а другой – как Sub (Подчиненный). Процедуры настройки приводятся в разделе “Выбор функций пульта дистанционного управления” руководства по эксплуатации внутреннего прибора.

7.3.2. Для беспроводного пульта дистанционного управления

1) Место установки

- Место, где пульт ДУ не подвержен воздействию прямых солнечных лучей.
- Место, где поблизости нет источника тепла.
- Место, где пульт ДУ не подвержен воздействию холодного или горячего воздуха.
- Место, где пультом ДУ можно легко управлять.
- Место, где пульт ДУ будет недоступен детям.

2) Метод установки (Fig. 7-7)

- 1) Прикрепите держатель пульта дистанционного управления в нужном месте с помощью 2 самонарезающих винтов.
- 2) Установите нижний конец пульта дистанционного управления в держатель.
 - A) Пульт дистанционного управления
 - B) Стена
 - C) Панель дисплея
 - D) Приемник

3) Настройка (установка времени) (Fig. 7-8)

- 1) Установите батарейки или нажмите кнопку **CLOCK** каким-нибудь предметом с острым концом. Индикация [CLOCK] (ЧАСЫ) A и [:] B будет мигать.
- 2) Нажмите кнопку **RESET** C каким-нибудь предметом с острым концом.
- 3) Для установки времени пользуйтесь кнопками \uparrow \downarrow . Чтобы установить день, нажмите кнопку **DAY**.
- 4) Нажмите кнопку **CLOCK** каким-либо предметом с острым концом. Загорится индикация [CLOCK] (ЧАСЫ) и [:].

4) Первоначальная настройка

Следующие настройки могут быть выполнены в режиме первоначальной настройки.

Элемент	Настройка	Fig. 7-10
Единица температуры	°C/°F	A
Отображение времени	12-часовой формат/24-часовой формат	B
АВТОМАТИЧЕСКИЙ режим	Одиночная уставка/двойная уставка	C
Номер пары	0-3	D
Подсветка	On/Off (Вкл./Выкл.)	E

4-1. Переключение в режим первоначальной настройки

1. Нажмите кнопку **FUNCTION** 1, чтобы остановить работу кондиционера воздуха.
2. Нажмите кнопку **MENU** 2. Отобразится экран настройки Function (Настройка функций) и будет мигать числовое значение функции A. (Fig. 7-9) Нажмите кнопку \uparrow 4, чтобы изменить числовое значение функции.
3. Убедитесь, что отображается числовое значение функции “1”, затем нажмите кнопку **SET** 3. Отобразится экран настройки индикации. (Fig. 7-10)

4-2. Изменение единицы температуры A

- Нажмите кнопку **TEMP** 5. При каждом нажатии кнопки **TEMP** 5 происходит переключение между элементами C и F. C : температура отображается в градусах шкалы Цельсия. F : температура отображается в градусах шкалы Фаренгейта.

4-3. Изменение отображения времени B

- Нажмите кнопку **TIME** 6. При каждом нажатии кнопки **TIME** 6 происходит переключение между элементами 12:00 и 24:00. 12:00 : время отображается в 12-часовом формате. 24:00 : время отображается в 24-часовом формате.

4-4. Изменение АВТОМАТИЧЕСКОГО режима C

- Нажмите кнопку **—** 7. При каждом нажатии кнопки **—** 7 происходит переключение между элементами t1 и t2. t1 : режим AUTO (АВТОМАТИЧЕСКИЙ) работает как обычный автоматический режим. t2 : режим AUTO (АВТОМАТИЧЕСКИЙ) работает с использованием двойных уставок.

4-5. Изменение номера пары D

- Нажмите кнопку \uparrow 4. При каждом нажатии кнопки \uparrow 4 происходит смена номеров пары 0–3.

Номер пары беспроводного пульта дистанционного управления	Печатная плата внутреннего блока
0	Первоначальная настройка
1	Разомкнуть J41
2	Разомкнуть J42
3	Разомкнуть J41, J42

4-6. Изменение настройки подсветки E

- Нажмите кнопку **ON/OFF** 8. При каждом нажатии кнопки **ON/OFF** 8 происходит переключение между элементами on и FF. on : подсветка загорается при нажатии кнопки. FF : подсветка не загорается при нажатии кнопки.

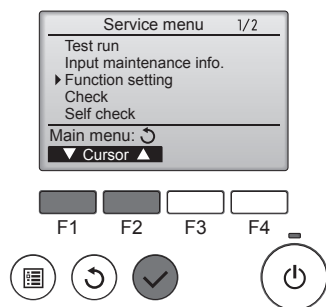


Fig. 7-11

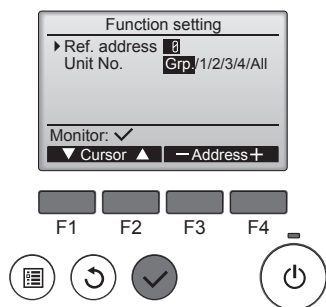


Fig. 7-12

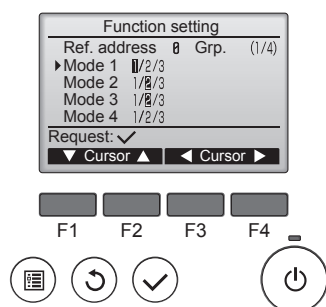


Fig. 7-13

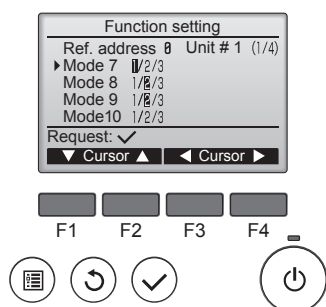


Fig. 7-14

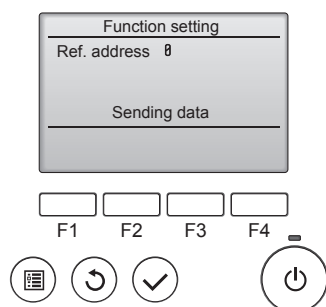


Fig. 7-15

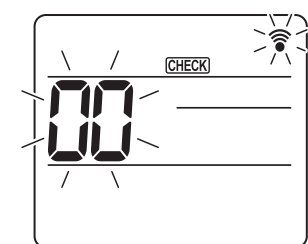


Fig. 7-16

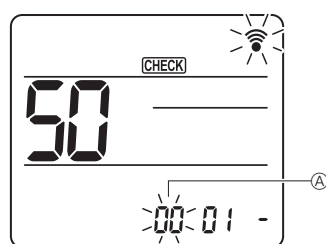


Fig. 7-17

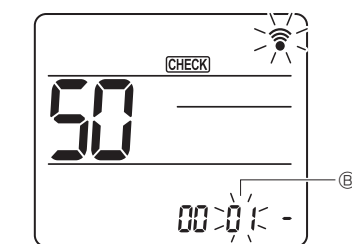


Fig. 7-18

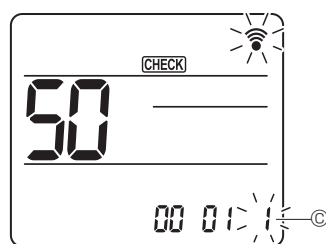


Fig. 7-19

7.4. Настройки функций

7.4.1. С помощью проводного пульта дистанционного управления

- ① (Fig. 7-11)
 - Выберите в Главном меню пункт “Сервисное обслуживание” и нажмите кнопку [ВЫБОР].
 - С помощью кнопки [F1] или [F2] выберите пункт “Настройка функций” и нажмите кнопку [ВЫБОР].

- ② (Fig. 7-12)
 - Установите адреса хладагента внутреннего блока и номера блоков с помощью кнопок [F1] – [F4], а затем нажмите кнопку [ВЫБОР] для подтверждения текущей настройки.

<Проверка внутреннего блока №>

Когда будет нажата кнопка [ВЫБОР], запустится вентилятор соответствующего внутреннего блока. Если работает один общий блок или когда работают все блоки, на всех внутренних блоках для выбранного адреса хладагента будут запущены вентиляторы.

- ③ (Fig. 7-13)
 - Когда сбор данных с внутренних блоков будет завершен, будут выделены текущие настройки. Если элементы не выделены, это означает, что настройки соответствующих функций не выполнены. Отображение на экране различается в зависимости от настройки “Unit No.” (Устр. №).

- ④ (Fig. 7-14)
 - Используйте кнопку [F1] или [F2] для перемещения курсора, чтобы выбрать номер режима, и измените номер настройки с помощью кнопки [F3] или [F4].

- ⑤ (Fig. 7-15)
 - Когда настройка будет завершена, нажмите кнопку [ВЫБОР] для отправки данных настройки с пульта дистанционного управления на внутренние блоки.
 - Когда передача будет успешно завершена, снова откроется экран “Настройка функций”.

7.4.2. С помощью беспроводного пульта дистанционного управления (Fig. 7-16, Fig. 7-17, Fig. 7-18, Fig. 7-19)

- ① Переход в режим выбора функции
Нажмите и удерживайте кнопку [MENU] не более 5 секунд. (Начните эту операцию с выключенного дисплея дистанционного пульта управления.)

Загорится [CHECK] (ПРОВЕРКА), будет мигать “00”. (Fig. 7-16)

Для установки значения “50” пользуйтесь кнопкой [DOWN].
Направьте беспроводной пульт дистанционного управления на приемник сигнала внутреннего блока и нажмите кнопку [SET].

- ② Установка номера блока
Для установки номера блока пользуйтесь кнопками [UP] [A]. (Fig. 7-17)
Направьте беспроводной пульт дистанционного управления на приемник сигнала внутреннего блока и нажмите кнопку [SET].

- ③ Выбор режима
Для установки номера режима пользуйтесь кнопками [DOWN] [B]. (Fig. 7-18)
Направьте беспроводной пульт дистанционного управления на приемник сигнала внутреннего блока и нажмите кнопку [SET].

Номер текущей настройки: 1 = 1 сигнала (1 секунда)
2 = 2 сигнала (1 секунда каждый)
3 = 3 сигнала (1 секунда каждый)

- ④ Выбор номера настройки
Для смены номера настройки пользуйтесь кнопками [DOWN] [C]. (Fig. 7-19)
Направьте беспроводной пульт дистанционного управления на приемник сигнала внутреннего блока и нажмите кнопку [SET].

- ⑤ Выбор нескольких функций одновременно
Повторяйте выбор действий ③ и ④ для последовательного изменения настроек нескольких функций.

- ⑥ Завершение выбора функций
Направьте беспроводной пульт дистанционного управления на датчик внутреннего блока и нажмите кнопку [OFF/ON].

Примечание.

При необходимости выполните вышеприведенные настройки для устройств серии Mr. Slim.

- В таблице 1 приведены параметры настройки для каждого номера режима.
- Обязательно запишите настройки для всех функций, если какие-либо из первоначальных настроек были изменены после завершения монтажных работ.

7. Электромонтажные работы

Таблица функций

Выберите номер прибора 00. [таблица 1]

Режим	Настройки	Номер режима	Номер настройки	Первоначальная настройка	Настройка
Автоматическое включение после сбоя электропитания	Недоступно	01	1		
	Доступно *1		2	○*2	
Определение температуры в помещении	Средняя величина при работе внутреннего прибора	02	1	○	
	Устанавливается с пульта дистанционного управления внутреннего прибора		2		
	Внутренний датчик пульта дистанционного управления		3		

Выберите номер прибора от 01 до 03 или все приборы (AL) [проводной пульт дистанционного управления]/07 [беспроводной пульт дистанционного управления]

Режим	Настройки	Номер режима	Номер настройки	Первоначальная настройка	Настройка
Знак фильтра	100 часов	07	1		
	2500 часов		2	○	
	Нет индикатора знака фильтра		3		
Скорость вентилятора	Бесшумный режим	08	1		
	Стандартный режим		2	○	
	Высокий потолок		3		
Настройка жалюзи вверх/вниз	Не установлено	11	1		
	Настройка бесшумной вентиляции (угол жалюзи, настройка ①)		2	○	
	Настройка движения по нисходящей линии (угол жалюзи, настройка ②)		3		
Расположение 3D-датчика i-See *3	Положение ① (расположение маркировки "□", стр. 240)	12	1		
	(Положение ①)		2		
	Положение ③ (расположение маркировки "○", стр. 240)		3	○	
Скорость вентилятора во время отключения термостата охлаждения	Установка скорости вентилятора	27	1		
	Остановлено		2		
	Сверхнизкая		3	○	

*1 После восстановления электропитания кондиционер включится через 3 минуты.

*2 Первоначальная настройка автоматического включения после сбоя электропитания зависит от подключения наружного блока.

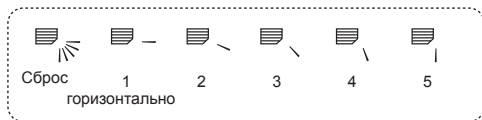
*3 Если положение угловой панели 3D-датчика i-See изменилось, измените этот режим. См. стр. 240.

7.4.3. Порядок настройки фиксированного направления потока воздуха вверх/вниз

- Только конкретный выход можно установить в определенном направлении по приведенной ниже процедуре. После того, как было установлено определенное направление для определенного выхода, оно будет устанавливаться при каждом включении кондиционера. (Другие выходы будут работать согласно заданным на пульте дистанционного управления настройкам направления воздуха ВВЕРХ/ВНИЗ).

■ Пояснения

- Refrigerant address No. (№ адреса хладагента) и Unit No. (№ устройства) — номера, присваиваемые каждому кондиционеру.
- № выхода — номер, присваиваемый каждому выходу кондиционера. (См. справа).
- Направление воздуха вверх/вниз — направление (угол) для фиксации.



Настройка пульта дистанционного управления

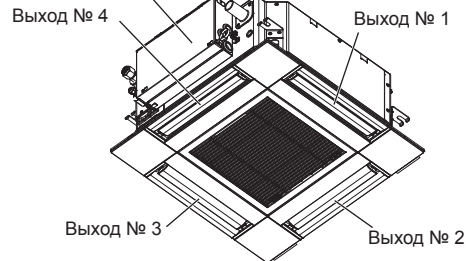
Направление воздушного потока из этого выхода управляется настройками направления потока воздуха на пульте дистанционного управления.

Фиксированные настройки

Направление воздушного потока этого выхода фиксируется в определенном направлении.

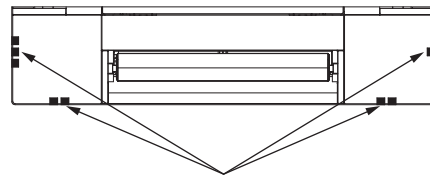
* Если из-за прямого воздушного потока холодно, направление воздушного потока можно установить горизонтально.

Коробка электрических компонентов



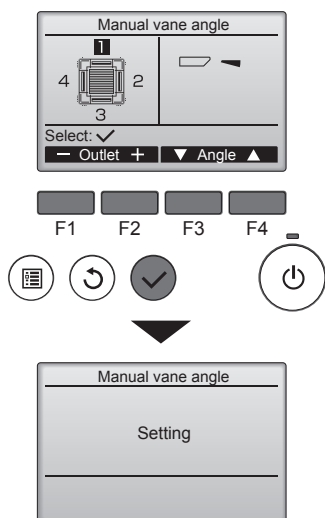
Примечание.

Номер выпуска указан количеством пазов на обоих концах каждого воздуховыпускного отверстия. Установите желаемое направление потока воздуха и сверьтесь с данными на дисплее пульта дистанционного управления.



Идентификационные отметки воздуховыпускных отверстий

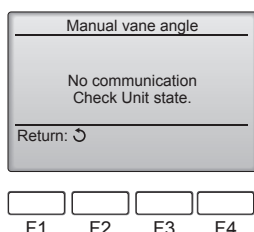
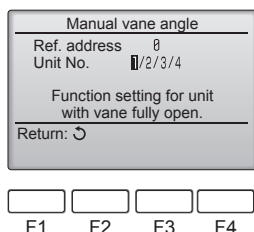
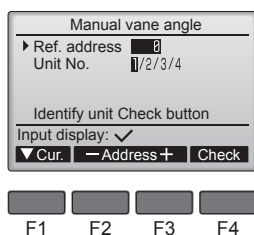
7. Электромонтажные работы



Если выбраны все выходы, будет отображаться при следующей эксплуатации устройства.

Перемещение по экранам

- Чтобы вернуться к главному меню ...кнопка [МЕНЮ]
- Чтобы вернуться к предыдущему экрану...кнопка [ВОЗВРАТ]



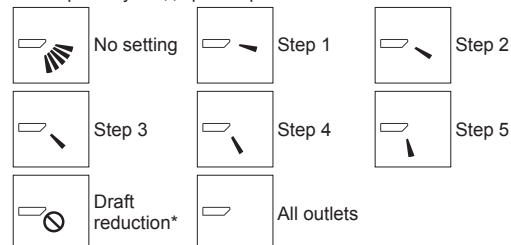
Появятся текущие настройки дефлектора.

Выберите необходимый выход от 1 до 4 нажатием кнопки [F1] или [F2].

- Выходы: "1", "2", "3", "4" и "1, 2, 3, 4, (все выходы)"

Нажмите кнопку [F3] или [F4] для перехода между пунктами в следующем порядке: No setting (reset) (Не установлено (сброс)), Step 1 (Уровень 1), Step 2 (Уровень 2), Step 3 (Уровень 3), Step 4 (Уровень 4), Step 5 (Уровень 5) и Draft reduction* (Уменьшение силы тяги*).

Выберите нужные настройки.
■ Настройка угла дефлектора



* Уменьшение силы тяги

Направление потока воздуха при данной настройке является более горизонтальным по сравнению с направлением потока воздуха настройки Step 1 (Уровень 1). Это позволяет снизить силу тяги. Настройка снижения силы тяги может быть применена только к 1 лопатке.

Нажмите кнопку [ВЫБОР], чтобы сохранить настройки.

Появится экран, который отображает информацию о передаче настроек.

Изменения настроек будут применены к выбранному выходу.

Экран автоматически вернется к показанному выше состоянию (Уровень 4) после завершения передачи.

Настройте другие выходы, соблюдая ту же процедуру.

Процедура подтверждения

① Во-первых, параметр "Ref. address" (Адрес обращ.) должен быть равен 0, "Unit No." (Устр. №) – 1.

- С помощью кнопки [F1] переместите курсор на "Ref. address" (Адрес обращ.) или "Unit No." (Устр. №) для выбора.
- Выберите адрес обращения и номер блока для блоков, чьи дефлекторы должны быть зафиксированы в неподвижном состоянии, с помощью кнопок [F2] или [F3], затем нажмите кнопку [ВЫБОР].
- Ref. address (Адрес обращ.): адрес обращения
- Unit No. (Устр. №): 1, 2, 3, 4

Нажмите кнопку [F4] для подтверждения блока.

② Установите порядковый номер устройства "Unit No." (Устр. №) и проверьте каждое устройство.

- Нажмите кнопку [F1] для выбора параметра "Unit No." (Устр. №).
Нажмите кнопку [F2] или [F3] и укажите в параметре "Unit No." (Устр. №) номер устройства для проверки, затем нажмите кнопку [F4].
- После нажатия кнопки [F4] выждите приблизительно 15 секунд, затем проверьте текущее состояние кондиционера.
→ Жалюзи должно быть направлено вниз. → Данный кондиционер отображается на пульте дистанционного управления.
→ Все выпускные отверстия закрыты. → Для продолжения операции с начала нажмите кнопку [ВОЗВРАТ].
→ Отображаются сообщения, приведенные слева. → По данному адресу хладагента указанное устройство не существует.
- Нажмите кнопку [ВОЗВРАТ] для возврата к исходному экрану.

③ В параметре "Ref. address" (Адрес обращ.) укажите следующий порядковый номер.

- См. шаг ① для изменения параметра "Ref. address" (Адрес обращ.) и продолжения процедуры подтверждения.

8. Тестовый прогон

8.1. До проведения тестового прогона

- ▶ После завершения установки и прокладки проводки и труб внутреннего и наружного блоков проверьте систему на предмет утечки хладагента, неплотности соединений проводки питания или цепи управления, неправильной полярности и отключения одной фазы питания.
- ▶ Используйте 500-вольтный мегаомметр для проверки сопротивления между клеммами питания и заземлением, которое должно составлять не менее 1,0 МОм.

▶ Не проводите данный тест на клеммах цепи управления (цепь низкого напряжения).

⚠ **Предупреждение!**
Не пользуйтесь кондиционером, если сопротивление изоляции ниже 1,0 МОм.

8.2. Тестовый прогон

8.2.1. Использование проводного пульта дистанционного управления

- Перед тестовым прогоном внимательно прочтите руководство по эксплуатации. (Особенно это касается указаний по безопасности)

Шаг 1 Включите питание.

- Пульт дистанционного управления: система переходит в режим запуска, индикатор питания (зеленый) пульта дистанционного управления начинает мигать и отображается сообщение PLEASE WAIT (ПОЖАЛУЙСТА, ПОДОЖДИТЕ). В этот момент пульт дистанционного управления недоступен для операций. Перед использованием пульта дистанционного управления дождитесь удаления с дисплея сообщения "PLEASE WAIT (ПОЖАЛУЙСТА, ПОДОЖДИТЕ)". Сообщение "PLEASE WAIT (ПОЖАЛУЙСТА, ПОДОЖДИТЕ)" отображается в течение приблизительно 2 минут после включения питания.
- Плата управления внутреннего блока: индикатор 1 загорается, индикатор 2 загорается (если адрес равен 0) или гаснет (если адрес не равен 0), индикатор 3 мигает.
- Плата управления наружного блока: индикатор 1 (зеленый) и индикатор 2 (красный) загораются. (После завершения процедуры запуска системы индикатор 2 гаснет.) Если на плате управления наружного блока используется цифровой дисплей, каждую секунду попеременно отображаются символы [-] и [-]. Если после выполнения процедур в шаге 2 и после него операции не выполняются надлежащим образом, проверьте и устраните следующие проблемы. (Симптомы, описанные ниже, могут проявляться в режиме тестового прогона. "Startup (Запуск)" в таблице обозначается индикацией, описанной выше.)

Симптомы в режиме тестового прогона.		Причина
Дисплей пульта дистанционного управления	Индикация ПЛАТЫ НАРУЖНОГО БЛОКА <> обозначает цифровой дисплей.	
На пульте дистанционного управления отображается сообщение "PLEASE WAIT (ПОЖАЛУЙСТА, ПОДОЖДИТЕ)", пульт для операций недоступен.	После отображения сообщения "Startup (Запуск)" загорается только зеленый индикатор. <00>	• После включения питания в течение 2 минут во время запуска системы на дисплее будет отображаться сообщение PLEASE WAIT (ПОЖАЛУЙСТА, ПОДОЖДИТЕ). (Нормальный режим)
После включения питания в течение 3 минут отображается сообщение "PLEASE WAIT (ПОЖАЛУЙСТА, ПОДОЖДИТЕ)", затем отображается код ошибки.	После отображения сообщения "Startup (Запуск)" попеременно вспыхивают однократно зеленый и однократно красный индикаторы. <F1>	• Неверное подключение к клеммной колодке наружного блока (R, S, T и S ₁ , S ₂ , S ₃ .)
	После отображения сообщения "Startup (Запуск)" попеременно вспыхивают однократно зеленый и дважды красный индикаторы. <F3, F5, F9>	• Разомкнут контакт защитного устройства наружного блока.
Дисплей не загорается даже при включении питания на пульте дистанционного управления. (Не загорается индикатор работы.)	После отображения сообщения "Startup (Запуск)" попеременно вспыхивают дважды зеленый и однократно красный индикаторы. <EA, Eb>	• Неверное подключение проводов между внутренним и наружным блоками (неверная полярность подключения S ₁ , S ₂ , S ₃ .)
	После отображения сообщения "Startup (Запуск)" загорается только зеленый индикатор. <00>	• Провод передачи данных пульта дистанционного управления закорочен.
Дисплей загорается, но вскоре гаснет даже при работе с пультом дистанционного управления.	После отображения сообщения "Startup (Запуск)" загорается только зеленый индикатор. <00>	• Отсутствует наружный блок с адресом 0. (Адрес не равен 0.)
		• Разомкнут провод передачи данных пульта дистанционного управления.
		• После отмены выбора функции операции недоступны в течение 30 секунд. (Нормальный режим)

Шаг 2 Включите на пульте дистанционного управления режим "Тестовый прогон".

- 1 Выберите режим "Тестовый прогон" в Сервисном меню и нажмите кнопку [ВЫБОР]. (Fig. 8-1)
- 2 Выберите режим "Тестовый прогон" в Меню тестового прогона и нажмите кнопку [ВЫБОР]. (Fig. 8-2)
- 3 Запускается режим "Тестовый прогон" и отображается экран тестового прогона.

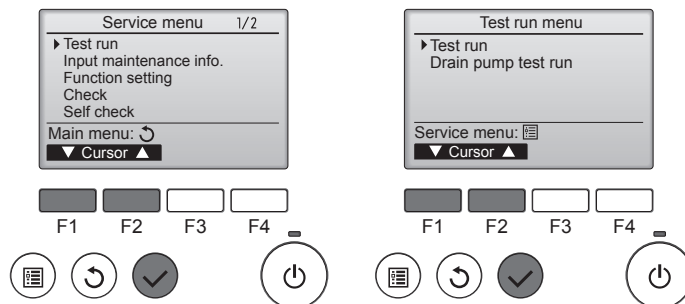


Fig. 8-1

Fig. 8-2

Шаг 3 Выполните тестовый прогон и проверьте температуру воздушного потока и автоматическую работу дефлектора.

- 1 Для изменения режима работы нажмите кнопку [F1]. (Fig. 8-3)
Режим охлаждения: убедитесь, что из блока поступает охлажденный воздух.
Режим нагрева: убедитесь, что из блока поступает нагретый воздух.
- 2 Нажмите кнопку [ВЫБОР] для отображения экрана работы жалюзи, затем нажмите кнопку [F1] и [F2] для проверки автоматического режима работы жалюзи. (Fig. 8-4)
Нажмите кнопку [ВОЗВРАТ] для возврата к экрану тестового прогона.
Если лопасти не двигаются, убедитесь, что переходное соединительное устройство проводов подключено надежно и цвета разъемов совпадают.

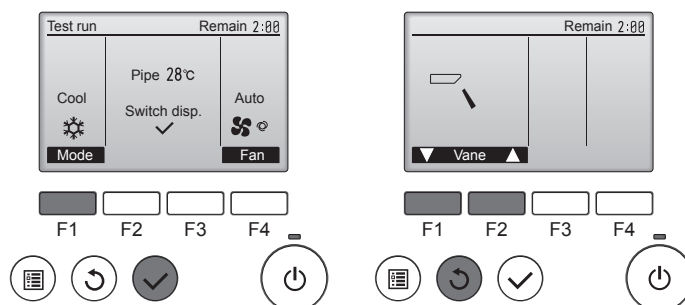


Fig. 8-3

Fig. 8-4

Шаг 4 Проверка работы вентилятора наружного блока.

Скорость вращения вентилятора наружного блока регулируется для управления работой устройства. В зависимости от атмосферных условий вентилятор вращается с низкой скоростью, пока этого будет достаточно для нормальной работы. Наружный ветер может привести к остановке вентилятора или его вращению в обратном направлении, однако это не является проблемой.

8. Тестовый прогон

Шаг 5 Остановка тестового прогона.

① Для остановки тестового прогона нажмите кнопку ON/OFF (ВКЛ./ВЫКЛ.) (Отображается меню тестового прогона.)

Примечание. Если на дисплее дистанционного управления отображается код ошибки, см. таблицу ниже.

[Шаблон вывода А] Ошибки, обнаруженные внутренним прибором

Беспроводной пульт дистанционного управления	Проводной пульт дистанционного управления	Симптом	Замечание
Звуковые сигналы/ мигает лампа индикации работы (количество миганий)	Код проверки		
1	P1	Ошибка датчика впуска	
2	P2	Ошибка датчика трубопровода (TH2)	
	P9	Ошибка датчика трубопровода (TH5)	
3	E6, E7	Ошибка связи внутреннего/наружного блока	
4	P4	Ошибка датчика дренажного слива / разомкнут контакт поплавкового выключателя	
5	P5	Ошибка дренажного насоса	
	PA	Вынужденная ошибка компрессора	
6	P6	Защита системы охлаждения/нагрева	
7	EE	Ошибка связи между внутренним и наружным блоками	
8	P8	Ошибка температуры трубопровода	
9	E4	Ошибка при получении сигнала пульта дистанционного управления	
10	—	—	
11	PB (Pb)	Ошибка мотора вентилятора внутреннего блока	
12	FB (Fb)	Ошибка системы управления внутреннего блока (ошибка памяти и т. д.)	
14	PL	Неадекватное функционирование контура хладагента	
Нет звука	E0, E3	Ошибка при передаче сигнала пульта дистанционного управления	
Нет звука	E1, E2	Ошибка платы управления пульта дистанционного управления	
Нет звука	-----	Не отвечает	

[Шаблон вывода В] Ошибки, обнаруженные другими устройствами, кроме внутреннего блока (наружным блоком и т. д.)

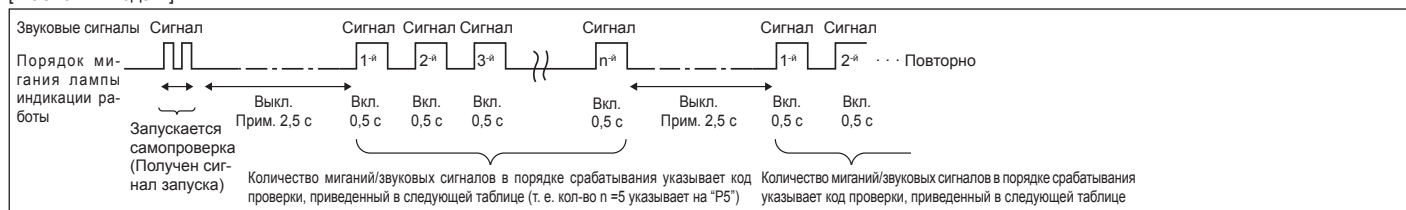
Беспроводной пульт дистанционного управления	Проводной пульт дистанционного управления	Симптом	Замечание
Звуковые сигналы/ мигает лампа индикации работы (количество миганий)	Код проверки		
1	E9	Ошибка связи внутреннего/наружного блока (ошибка при передаче) (наружный блок)	Для выяснения подробностей проверьте светодиодный дисплей на плате управления наружного блока.
2	UP	Прерывание от перегрузки по току компрессора	
3	U3, U4	Размыкание/короткое замыкание термисторов наружного блока	
14	PL или другие	Сбой в работе контура хладагента или другие ошибки	

*1 Если после первых 2 звуковых сигналов сигнал не подается снова в подтверждение получения сигнала запуска самопроверки и лампа индикации работы не загорается, значит, записей об ошибках нет.

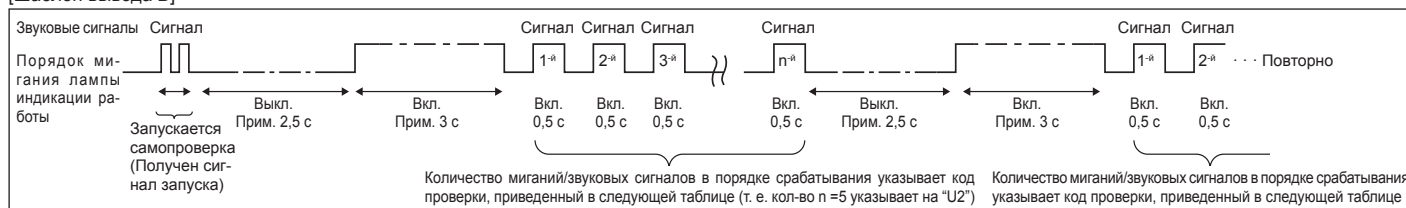
*2 Если звуковой сигнал подается 3 раза подряд – “сигнал, сигнал, сигнал (0,4 + 0,4 + 0,4 с)” – после первых 2 звуковых сигналов в подтверждение получения сигнала запуска самопроверки, значит, адрес хладагента неверен.

- На беспроводном пульте дистанционного управления
Непрерывный зуммерный звук в зоне приема внутреннего прибора.
Мигание лампы индикации работы
- На проводном пульте дистанционного управления
Проверьте код, который отображается на ЖК-экране.
- Подробную информацию о кодах проверки см. в следующих таблицах. (Беспроводной пульт дистанционного управления)

[Шаблон вывода А]



[Шаблон вывода В]



Описание индикаторов дисплея см. в таблице ниже (индикаторы 1, 2 и 3) на плате управления внутреннего блока.

Индикатор 1 (питание микрокомпьютера)	Индикатор подачи питания. Этот индикатор должен гореть постоянно.
Индикатор 2 (питание пульта дистанционного управления)	Указывает, подается ли питание на проводной пульт дистанционного управления. Данный индикатор загорается только для внутреннего блока, подключенного к наружному блоку и имеющего адрес 0.
Индикатор 3 (связь внутреннего/наружного блоков)	Указывает на связь между внутренним и наружным блоками. Этот индикатор должен постоянно мигать.

Примечание.

При непрерывной работе устройства во время испытаний устройство остановится через 2 часа.

8. Тестовый прогон

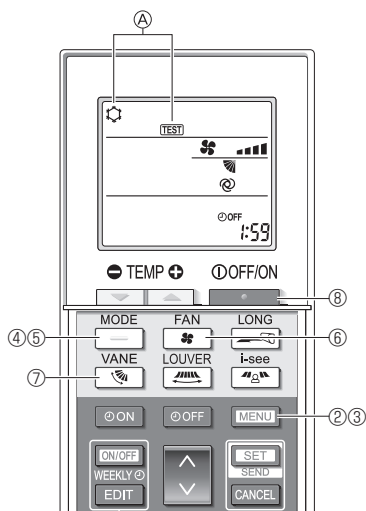
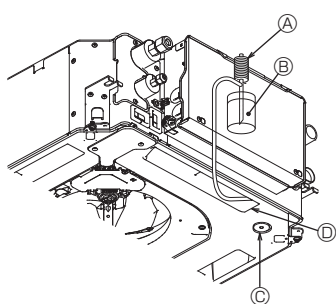


Fig. 8-5



- А Насос водоснабжения
 - Б Вода (около 1000 кубических сантиметров)
 - В Пробка сливного отверстия
 - Г Налейте воду через выход
- Будьте осторожны, чтобы не распылить воду в механизм насоса для отвода конденсата.

Fig. 8-6

9. Управление системой

Обратитесь к руководству по установке наружного прибора.

10. Установка решетки

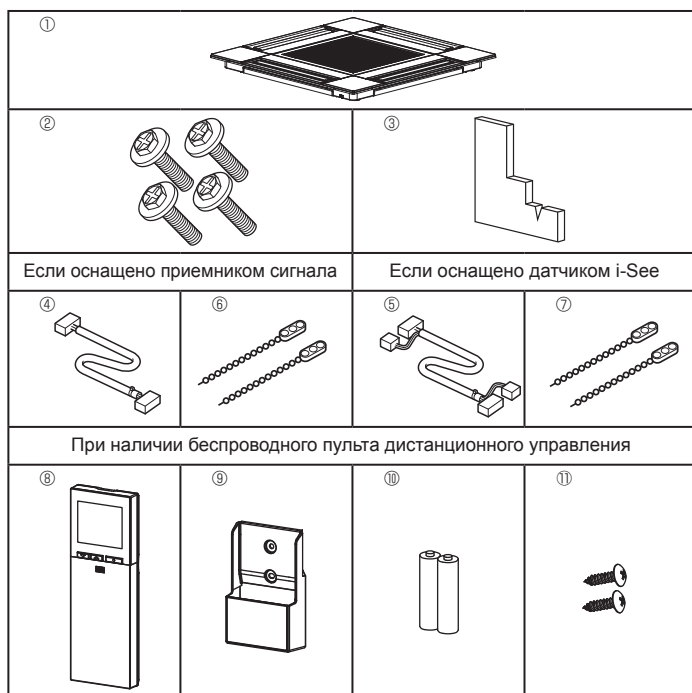


Fig. 10-1

8.2.2. С использованием беспроводного пульта дистанционного управления

- ① Включите питание блока как минимум за 12 часов до тестового прогона.
- ② Нажмите и удерживайте кнопку [MENU] в течение 5 секунд. (Fig. 8-5) (Выполняйте эту операцию, когда дисплей пульта дистанционного управления выключен.)
- ③ Нажмите кнопку [MENU].
Отображаются [TEST] (ТЕСТ) и текущий режим работы. (Fig. 8-5)
- ④ Нажмите кнопку [FAN], чтобы активировать режим охлаждения, затем проверьте, выдувается ли из блока прохладный воздух.
- ⑤ Нажмите кнопку [HEAT], чтобы активировать режим нагрева, затем проверьте, выдувается ли из блока теплый воздух.
- ⑥ Нажмите кнопку [FAN], и проверьте, изменилась ли скорость вентилятора.
- ⑦ Нажмите кнопку [VANE] и проверьте правильность работы дефлектора в автоматическом режиме.
- ⑧ Для остановки тестового прогона нажмите кнопку [STOP].
(Через два часа будет отправлен сигнал для остановки тестового прогона.)

Примечание.

- Направьте пульт дистанционного управления в сторону приемника внутреннего блока во время выполнения шагов ③ — ⑧.
- Тестовый прогон невозможно выполнить в режимах FAN (ВЕНТИЛЯЦИЯ), DRY (СУШКА) или AUTO (АВТОМАТИЧЕСКИЙ).

8.3. Самодиагностика

- Подробное описание см. в руководстве по установке, прилагаемого к пульту дистанционного управления.

8.4. Проверка дренажа (Fig. 8-6)

- Убедитесь, что дренаж воды осуществляется нормально и что соединения не пропускают воду.

После завершения электромонтажных работ

- Залейте воду во время охлаждения и проверьте.

Если электромонтажные работы не завершены

- Залейте воду во время аварийной эксплуатации и проверьте.

* Дренажный насос и вентилятор активируются одновременно, когда одна фаза 230 В включена в S1 и S2 на клеммной колодке, после того как включен соединитель (SWE) на плате управления в распределительной коробке.

Не забудьте переключить его в обратное положение после работы.

10.1. Проверьте дополнительные принадлежности решетки (Fig. 10-1)

- Решетка поставляется со следующими дополнительными принадлежностями.

	Наименование дополнительного компонента	Количество	Замечание
①	Решетка	1	625 × 625 (мм)
②	Винт с шайбой	4	M5 × 0,8 × 25 (мм)
③	Лекало	1	
④	Соединительный провод для приемника сигнала	1	Входит в комплект, если оснащено приемником сигнала.
⑤	Соединительный провод для датчика i-See	1	Входит в комплект, если оснащено датчиком i-See.
⑥	Зажим	2	Входит в комплект, если оснащено приемником сигнала.
⑦	Зажим	2	Входит в комплект, если оснащено датчиком i-See.
⑧	Беспроводной пульт дистанционного управления	1	Входит в комплект при наличии беспроводного пульта дистанционного управления.
⑨	Держатель пульта дистанционного управления	1	Входит в комплект при наличии беспроводного пульта дистанционного управления.
⑩	Батарейки LR6 AA	2	Входит в комплект при наличии беспроводного пульта дистанционного управления.
⑪	Шурупы-саморезы 3,5 x 16	2	Входит в комплект при наличии беспроводного пульта дистанционного управления.

10. Установка решетки

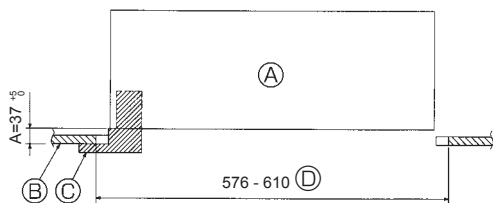


Fig. 10-2

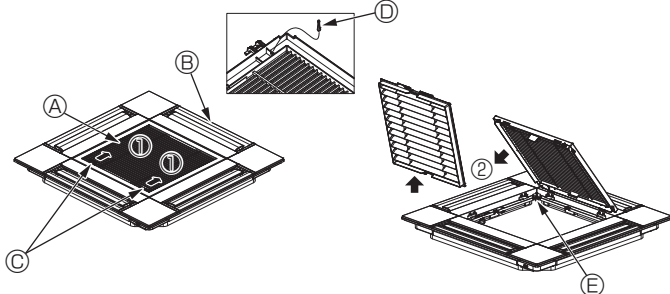


Fig. 10-3

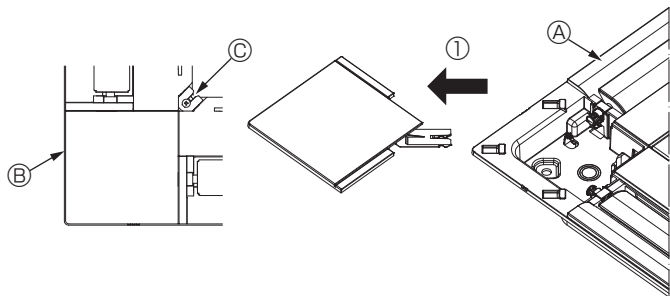
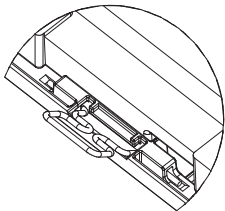
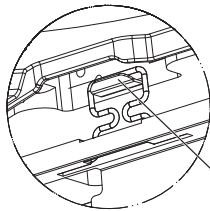


Fig. 10-4

<Крючок в поднятом положении>



<Крючок решетки>



Крючок для основного блока

Fig. 10-5

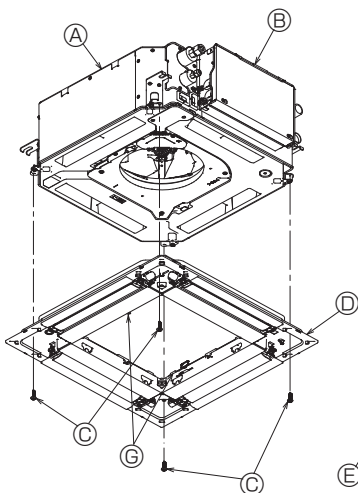


Fig. 10-6

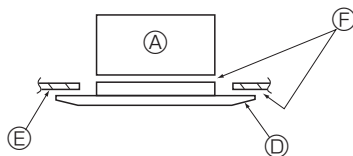


Fig. 10-7

10.2. Подготовка к присоединению решетки (Fig. 10-2)

- С помощью поставляемого в комплекте лекала отрегулируйте и проверьте размещение блока относительно потолка. Ненадлежащее размещение блока относительно потолка может привести к утечке воздуха, образованию конденсата или неправильной работе вертикальных заслонок.
- Убедитесь, что отверстие в потолке находится в пределах следующих допусков: 576 × 576–610 × 610
- Убедитесь, что шаг А выполнен в пределах 37–42 мм. Несоблюдение указанного диапазона может стать причиной повреждений.

- Ⓐ Основной блок
- Ⓑ Потолок
- Ⓒ Лекало (дополнительная принадлежность)
- Ⓓ Размеры потолочных отверстий

10.2.1. Снятие решетки впуска воздуха (Fig. 10-3)

- Переместите рычаги на решетке на впуске воздуха по направлению, обозначенному стрелкой ①. Решетка откроется.
- Снимите крючок, фиксирующий решетку.
 - * Не снимайте крючок решетки впуска воздуха.
- В открытом положении решетки впуска воздуха снимите петлю, как показано стрелкой ②.

- Ⓐ Решетка на впуске воздуха
- Ⓑ Решетка
- Ⓒ Рычаги решетки на впуске воздуха
- Ⓓ Крючок решетки
- Ⓔ Отверстие для крючка решетки

10.2.2. Снятие угловой панели (Fig. 10-4)

- Ослабьте винт в углу угловой панели. Сдвиньте угловую панель, как показано стрелкой ①, чтобы снять ее.

- Ⓐ Решетка
- Ⓑ Угловая панель
- Ⓒ Винт

10.3. Установка решетки

- Обратите внимание на наличие ограничения положения крепления решетки.

10.3.1. Временная установка решетки

- Совместите отверстия для винтов в углах решетки с монтажными отверстиями в углах основного блока, зафиксируйте два крючка на решетке на выступах дренажного поддона основного блока и временно подвесьте решетку. (Fig. 10-5)

⚠ Осторожно!

При установке датчика i-See и приемника сигнала поместите соединительные провода в коннекторную коробку перед тем, как временно подвешивать решетку.

См. п. 7.2.1. на стр. 231 с информацией о прокладке соединительных проводов.

10.3.2. Фиксация решетки

- Зафиксируйте решетку, затянув четыре винта. (Fig. 10-6)
- * Убедитесь в отсутствии зазоров между основным блоком и панелью, а также между панелью и поверхностью потолка. (Fig. 10-7)

- Ⓐ Основной блок
- Ⓑ Коробка электрических компонентов
- Ⓒ Винт с шайбой (дополнительная принадлежность)
- Ⓓ Решетка
- Ⓔ Потолок
- Ⓕ Убедитесь в отсутствии зазоров.
- Ⓖ Временные подвесные крючки на панели

⚠ Осторожно!

- При затягивании винта с обжимным кольцом ③ дотяните его до момента затяжки 4,8 Н·м или меньше. Запрещено использование пневматической отвертки.

Это может повредить компоненты.

- После затяжки винта убедитесь, что два крючка решетки (Fig. 10-5) зафиксированы на крючках на основном блоке.

10. Установка решетки

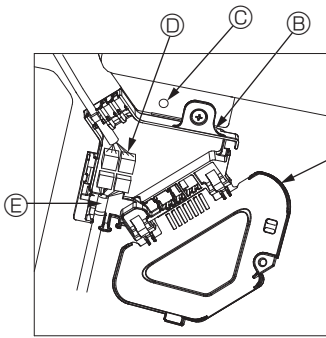


Fig. 10-8

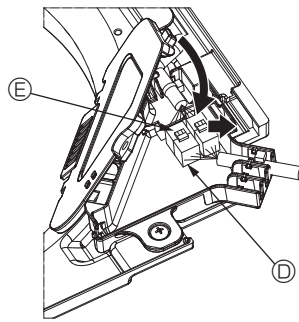


Fig. 10-9

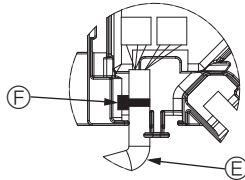


Fig. 10-10

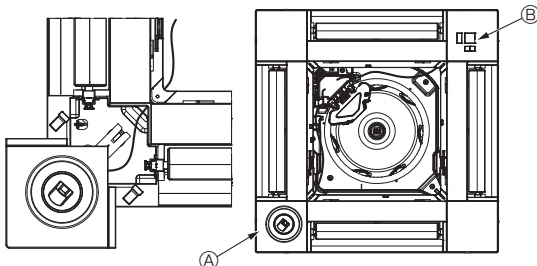


Fig. 10-11

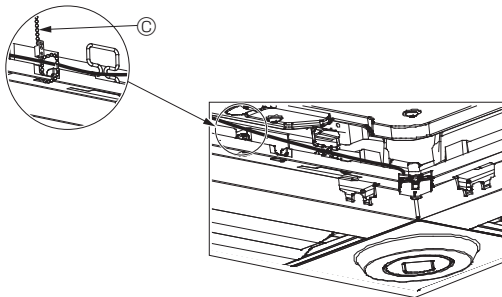


Fig. 10-12

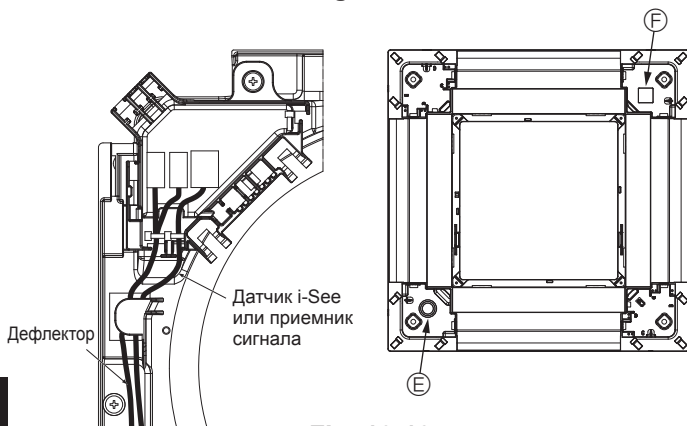


Fig. 10-13

10.3.3. Подключение проводов

- ① Снимите один винт, которым крепится крышка коннекторной коробки, а затем откройте крышку.
- ② Надежно подключите переходное соединительное устройство мотора дефлектора и соединитель провода мотора дефлектора панели в коннекторной коробке. (Fig. 10-8)
Существует два разъема мотора дефлектора: синий и оранжевый. Убедитесь, что при подключении цвета совпадают.
- ③ Закройте крышку коннекторной коробки.
Закрывая крышку коннекторной коробки, сдвиньте крышку в направлении, указанном стрелкой, и убедитесь, что выступ надежно вставлен. (Fig. 10-9)

- Ⓐ Крышка коннекторной коробки
- Ⓑ Коннекторная коробка
- Ⓒ Зажимной винт
- Ⓓ Узловой соединитель
- Ⓔ Соединитель провода мотора дефлектора
- Ⓕ Лента

⚠ Осторожно!

- Поместите ленту, фиксирующую провод мотора дефлектора, в коннекторную коробку, как показано на схеме. (Fig. 10-10)
- При закрытии крышки коннекторной коробки убедитесь, что вы не зажали провода.

10.3.4. Прокладка проводов угловой панели датчика i-See и приемника сигнала

- Установите датчик i-See и приемник сигнала в углах панели — в местах, обозначенных символами "o" или "□". (Положение может быть обратным).
- Проложите провода датчика i-See и приемника сигнала через квадратные отверстия в углах панели и установите их.
- Подключите переходное соединительное устройство и соединители провода датчика i-See и приемника сигнала в коннекторной коробке.
- Закройте крышку коннекторной коробки.
- Зафиксируйте провода датчика i-See и приемника сигнала на панели с помощью зажима, как показано на схеме, чтобы провода не провисали, после чего отрежьте лишнюю часть зажима. (Fig. 10-12)
- Поместите провода датчика i-See и приемника сигнала во внутрь фланца на панели.
- Если положение датчика i-See было изменено с "o" (E) на положение "□" (F), измените настройки функции. (См. стр. 234.)

⚠ Осторожно!

- Проложите провода датчика i-See и приемника сигнала, как показано на Fig. 10-13.
- Поместите излишние соединительные провода датчика i-See и приемника сигнала в проволочный хомут в коробке электрических компонентов, как показано на схеме, и зафиксируйте провода зажимом вместе. (Fig. 10-14) Убедитесь, что лента, фиксирующая соединительные провода датчика i-See и приемника сигнала, расположена внутри коннекторной коробки. (Fig. 10-15)
- Если разъемы мотора дефлектора и приемника сигнала неправильно подключены, лопасти не будут двигаться или будет отсутствовать связь с дистанционным пультом управления.

- Ⓐ Датчик i-See
- Ⓑ Приемник сигнала
- Ⓒ Зажим
- Ⓓ Проволочный хомут
- Ⓔ Маркировка "o": расположение датчика i-See по умолчанию
- Ⓕ маркировка "□": расположение приемника сигнала по умолчанию

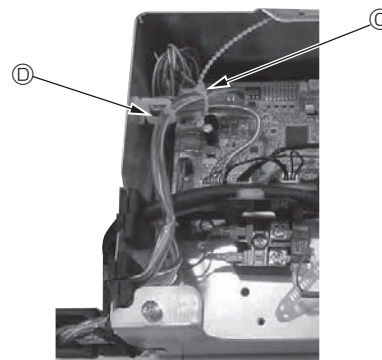


Fig. 10-14

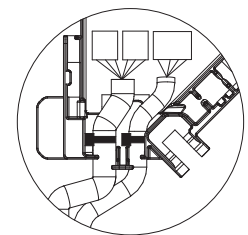


Fig. 10-15

10. Установка решетки

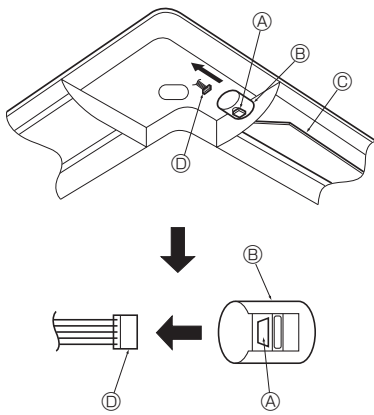


Fig. 10-16

- Ⓐ Кнопка
- Ⓑ Приводной мотор заслонок
- Ⓒ Вертикальные заслонки
- Ⓓ Соединитель

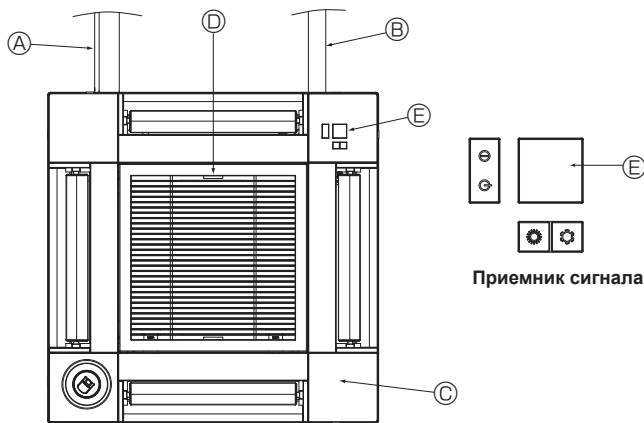
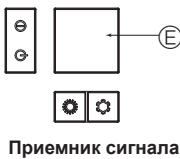


Fig. 10-17



10.4. Блокировка направления воздушного потока вверх/вниз (Fig. 10-16)

В зависимости от среды использования можно зафиксировать направление воздушного потока блока в положении вверх или вниз.

- Установка по желанию заказчика.
- Фиксирование направления потока вверх/вниз и все элементы автоматического управления не могут быть выполнены с помощью пульта дистанционного управления. Кроме того, фактическое положение лопастей может отличаться от указанной позиции на дистанционном пульте управления.
- ① Выключите главный выключатель питания.
Во время вращения вентилятора блока возможно получение травм или поражение электрическим током.
- ② Отсоедините разъем мотора дефлектора, который вы хотите заблокировать. (При нажатии кнопки снимите разъем в направлении, указанном стрелкой, как показано на схеме). После снятия заизолируйте разъем изолянтной.

10.5. Установка решетки впуска воздуха (Fig. 10-17)

- Выполните шаги, описанные в п. "10.2. Подготовка к присоединению решетки", в обратном порядке, чтобы установить воздухозаборную решетку и угловую панель.
- Ⓐ Трубопровод хладагента основного блока
- Ⓑ Дренажный трубопровод основного блока
- Ⓒ Угловая панель
- Ⓓ Заводское положение рычагов на решетке впуска воздуха.
* Зажимы могут быть установлены в любом из четырех положений.
- Ⓔ Приемник

10.6. Проверьте

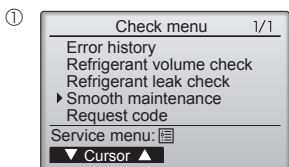
- Убедитесь в отсутствии зазоров между прибором и решеткой и между решеткой и поверхностью потолка. Наличие зазоров между прибором и решеткой и между решеткой и поверхностью потолка может привести к скоплению влаги.
- Проверьте надежность подсоединения проводов.
- Убедитесь, что все четыре дефлектора двигаются. Если два или четырех дефлекторов не двигаются, см. п. 10.3. и проверьте подключения.
- Для угловой панели датчика 3D i-See: проверьте вращательное движение. Если датчик 3D i-See не вращается, ознакомьтесь с порядком действий в п. "10.3. Установка решетки".

11. Функция простого обслуживания

Данные обслуживания, такие как температура теплообменника внутреннего/наружного блоков и рабочий ток компрессора, могут отображаться с помощью функции Smooth maintenance (Плавное обслуживание).

* **Выполнение этой функции невозможно во время проведения испытаний.**

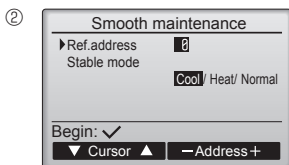
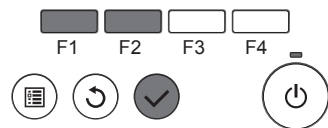
* **В зависимости от комбинации с наружным прибором на некоторых моделях эта функция может не поддерживаться.**



* Выберите в Главном меню пункт "Service" (Сервисное обслуживание) и нажмите кнопку [ВЫБОР].

* С помощью кнопки [F1] или [F2] выберите пункт Check (Проверка) и нажмите кнопку [ВЫБОР].

* С помощью кнопки [F1] или [F2] выберите пункт Smooth maintenance (Плавное обслуживание) и нажмите кнопку [ВЫБОР].



Выберите нужный элемент.

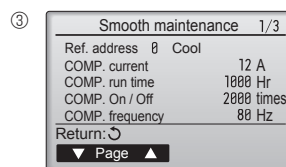
* Кнопкой [F1] или [F2] выберите элемент, который необходимо изменить.

* Кнопкой [F3] или [F4] выберите нужный параметр.

Параметр "Ref. address" (Адрес обрац.) "0" - "15"
Параметр "Stable mode" (Стабильный режим) "Cool" (Охлаждение) / "Heat" (Нагрев) / "Normal" (Нормальный)

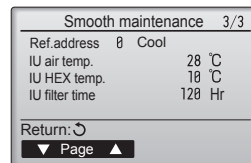
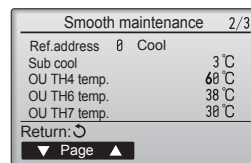
* Нажмите кнопку [ВЫБОР], начнется работа в выбранном режиме.

* Работа в режиме Stable mode (Стабильный режим) займет прим. 20 минут.



Отобразятся рабочие данные.

Для параметра общего времени работы компрессора (COMP. run (КОМП. раб.)) используется единица 10 часов, а для параметра количества включений компрессора (COMP. On/Off (КОМП. Вкл/Выкл)) используется единица 100 раз (дробные значения исключены)



Перемещение по экранам

- Чтобы вернуться к главному меню кнопка [МЕНЮ]
- Чтобы вернуться к предыдущему экрану кнопка [ВОЗВРАТ]

This product is designed and intended for use in the residential, commercial and light-industrial environment.

Importer:

Mitsubishi Electric Europe B.V.
Capronilaan 46, 1119 NS, Schiphol Rijk, The Netherlands

French Branch
25, Boulevard des Bouvets, 92741 Nanterre Cedex, France

German Branch
Mitsubishi-Electric-Platz 1, 40882 Ratingen, Germany

Belgian Branch
Autobaan 2, 8210 Loppem, Belgium

Irish Branch
Westgate Business Park, Ballymount, Dublin 24, Ireland

Italian Branch
Centro Direzionale Colleoni, Palazzo Sirio-Ingresso 1 Viale Colleoni 7, 20864 Agrate Brianza (MB), Italy

Norwegian Branch
Gneisveien 2D, 1914 Ytre Enebakk, Norway

Portuguese Branch
Avda. do Forte, 10, 2799-514, Carnaxide, Lisbon, Portugal

Spanish Branch
Carretera de Rubi 76-80 - Apdo. 420 08173 Sant Cugat del Valles (Barcelona), Spain

Scandinavian Branch
Hammarbacken 14, P.O. Box 750 SE-19127, Sollentuna, Sweden

UK Branch
Travellers Lane, Hatfield, Herts., AL10 8XB, England, U.K.

Polish Branch
Krakowska 50, PL-32-083 Balice, Poland

MITSUBISHI ELECTRIC TURKEY ELEKTRİK ÜRÜNLERİ A.Ş.
Şerifali Mah. Kale Sok. No: 41 34775 Ümraniye, İstanbul / Turkey

MITSUBISHI ELECTRIC (RUSSIA) LLC
115114, Russia, Moscow, Letnikovskaya street 2, bld.1, 5th

Please be sure to put the contact address/telephone number on this manual before handing it to the customer.

Не забудьте указать контактный адрес/номер телефона в данном руководстве, прежде чем передать его клиенту.

MITSUBISHI ELECTRIC CORPORATION

HEAD OFFICE: TOKYO BUILDING, 2-7-3, MARUNOUCHI, CHIYODA-KU, TOKYO 100-8310, JAPAN

Название Компании: ООО «Мицубиси Электрик (РУС)»

Адрес: 115114, Российская Федерация, г. Москва, ул. Летниковская, д. 2, стр. 1, 5 этаж